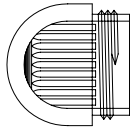
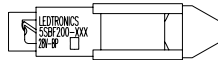


LTR	REVISION	DATE	APPD
-	RELEASED	02-16-12	

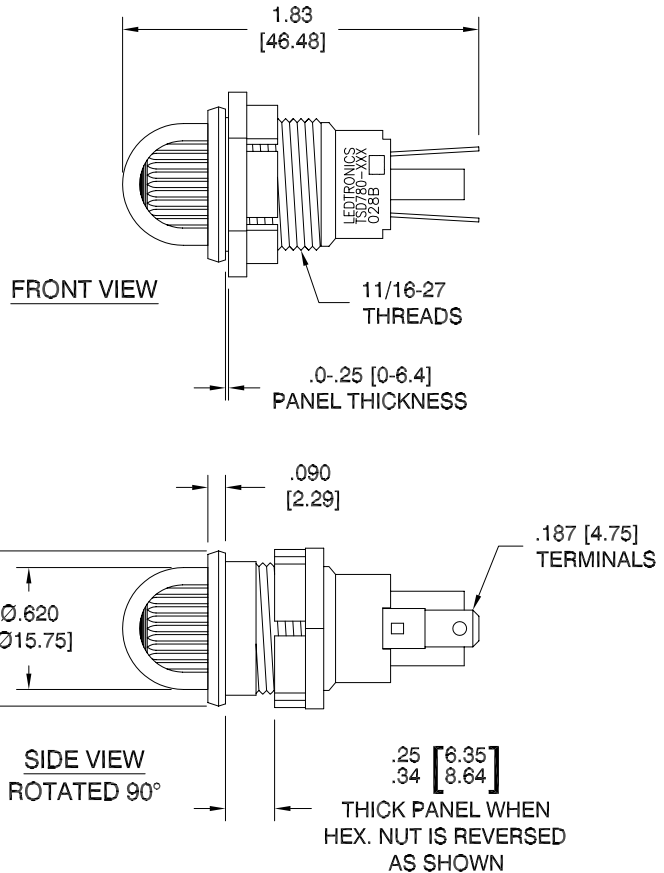
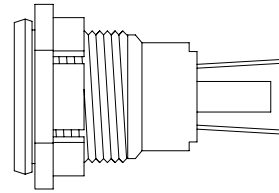
**LENS**  
LENS-LCD780-CXF



**T2 LAMP**  
5SBF200-XXX-028B



**HOLDER**  
HLDR-TS52



**NOTES:**

1. ALL DIMENSIONS ARE IN INCHES [MILLIMETERS].
2. MOUNTING DIAMETER: Ø11/16"
3. PARTS WITH (\*) ARE "RoHS" CERTIFIED.
4. LENS MATERIAL: POLYCARBONATE-UV STABILIZED. (UL94V-2)
5. HOLDER MATERIAL:  
TERMINALS: NICKEL PLATED BRASS  
BODY: BLACK POLYESTER  
HEX NUT: POLYESTER



REVISION NOTIFICATION	
<input type="checkbox"/>	PMA
<input type="checkbox"/>	UL
<input type="checkbox"/>	MADE IN USA
<input type="checkbox"/>	CUSTOMER _____
<input type="checkbox"/>	OTHER

TSD780-0ER-028B*	SUPER RED	28VDC	15	0.250 cd	CLEAR RED	637	120°
TSD780-2AG-028B	AQUA GREEN	28VDC	20	0.750 cd	CLEAR GREEN	518	120°
LEDTRONICS PART NO.	COLOR EMITTED	INPUT VOLTAGE, V	Read I mA (typ)	MAXIMUM CANDELA	LENS TYPE/COLOR	λP nm	VIEWING ANGLE (FULL BEAM WIDTH @ 50% INTENSITY)
		ELECTRICAL TEST					

**LED**<sup>®</sup>  
LEDTRONICS,™ INC.  
23105 KASHIWA COURT  
TORRANCE, CA 90505

**-PROPRIETARY-**  
This document contains Proprietary information of LEDTRONICS,™ INC. It may not be copied, used or disclosed for any purpose without the prior express written consent of LEDTRONICS,™ INC.

.XXX ± .010 TOLERANCE PER ANSI-Y14.5 (UNLESS OTHERWISE STATED)  
.XX ± .025  
ANGLES ± 0°,30'  
FRACT. ± 1/32

TITLE <b>TSD780-XXX-028B</b>							
DWG NO CMMS0345-CUST		SCALE 1:1		SHEET 1 OF 1		DATE 02-16-12	
CODE IDENT NO. 8Z410	DWG BY GP 02-16-12	CHK BY PL 02-17-12	QA	MFG	R&D		