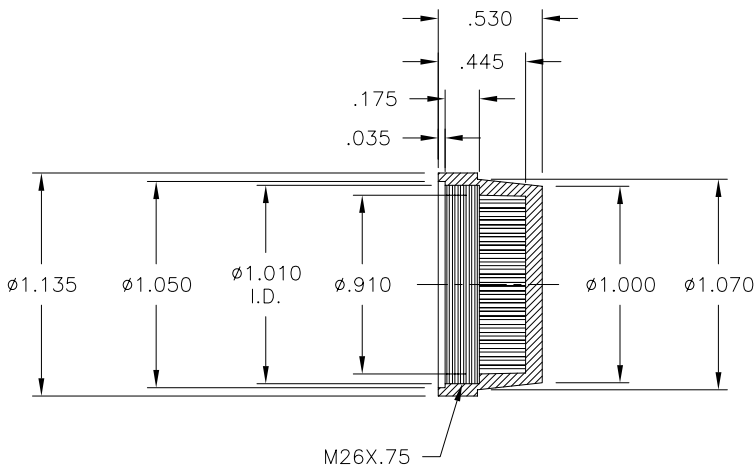


LTR	REVISION	DATE	APPD
-	RELEASED	07-08-08	



LENS COLORS AVAILABLE	
PART NO.	COLOR
LCF850-CAF	CLEAR AMBER
LCF850-CBF	CLEAR BLUE
LCF850-CGF	CLEAR GREEN
LCF850-CRF	CLEAR RED
LCF850-CWF	CLEAR WATER
LCF850-CYF	CLEAR YELLOW



NOTES:

- MATERIAL: POLYCARBONATE (PC) (UL 94V-2)

REVISION NOTIFICATION	
<input type="checkbox"/>	PMA
<input type="checkbox"/>	UL
<input type="checkbox"/>	CUSTOMER _____
<input type="checkbox"/>	OTHER

LED[®]
LEDTRONICS,™ INC.
 23105 KASHIWA COURT
 TORRANCE, CA 90505

-PROPRIETARY-
 This document contains Proprietary information of LEDTRONICS,™ INC. It may not be copied, used or disclosed for any purpose without the prior express written consent of LEDTRONICS,™ INC.

.XXX ± .010 TOLERANCE PER ANSI-Y14.5
 .XX ± .025 (UNLESS OTHERWISE STATED)
 ANGLES ± 0°,30'
 FRACT. ± 1/32

TITLE LENS-LCF850-CXF					
DWG NO CMLN0006-CUST		SCALE 1:1	SHEET 1 OF 1		DATE 07-08-08
CODE IDENT NO. 8Z410	DWG BY GP	CHK BY PL	QA 07-08-08	MNFG	CUSTOMER