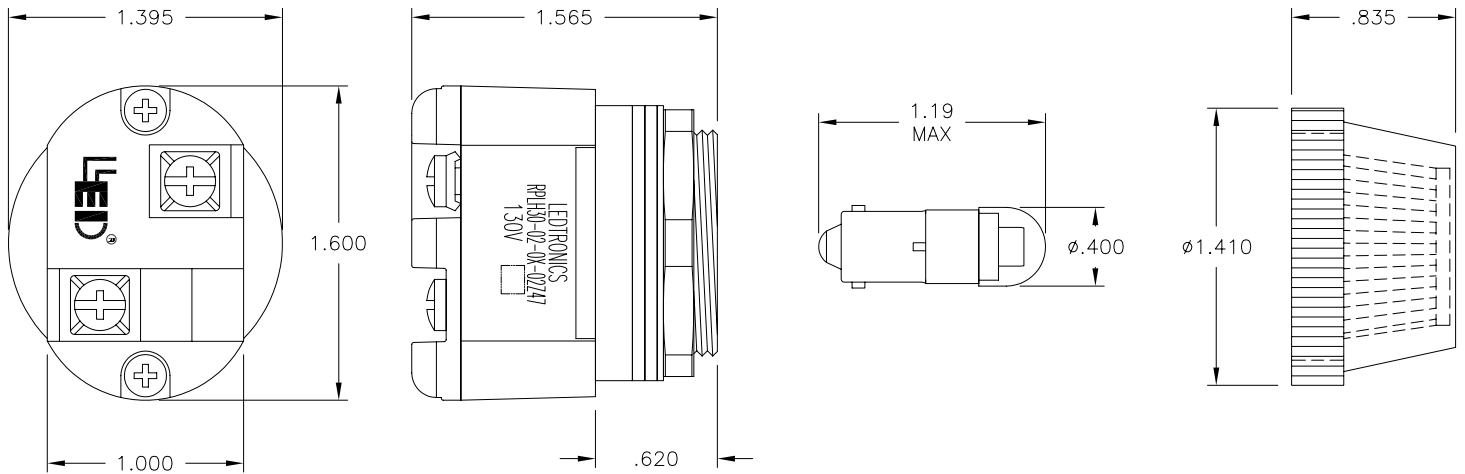


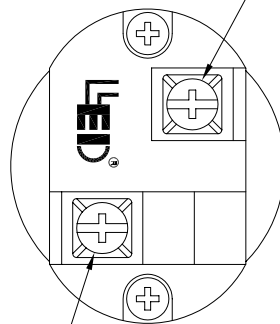
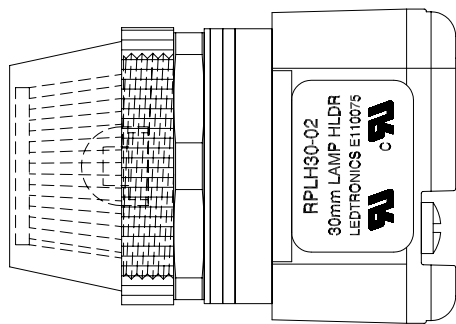
LAMP HOLDER SERIES - RPLH30-02

LED LAMP SERIES - RPLB-020X

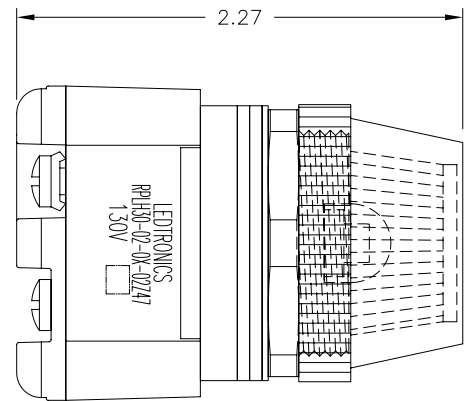
LENS - RPLL30-CXF



PLATING ZINC, YELLOW CHROMATE SCREW
(CENTER BULB CONTACT)



STEEL SCREW
(SIDE BULB CONTACT)



RPLH30-02-0X-02Z47



RPLH30-02-01-02Z47	130VDC/120VAC	50VDC MIN.	650	RED	RPLH30-02	RPLB-0201-130V47Z	RPLL30-CRF
RPLH30-02-02-02Z47	130VDC/120VAC	50VDC MIN.	610	ORANGE	RPLH30-02	RPLB-0203-130V47Z	RPLL30-CAF
RPLH30-02-04-02Z47	130VDC/120VAC	50VDC MIN.	519	GREEN	RPLH30-02	RPLB-0206-130V47Z	RPLL30-CGF
RPLH30-02-05-02Z47	130VDC/120VAC	50VDC MIN.	462	BLUE	RPLH30-02	RPLB-0208-130V47Z	RPLL30-CBF
RPLH30-02-06-02Z47	130VDC/120VAC	50VDC MIN.	8000K	WHITE	RPLH30-02	RPLB-0209-130V47Z	RPLL30-TWF

LEDTRONICS PART NO.	INPUT VOLTAGE, V	TURN-ON VOLTAGE	λP nm	COLOR EMITTED	LAMP HOLDER PART NO.	LED LAMP PART NO.	LENS PART NO.
	ELECTRICAL TEST						

 23105 KASHIWA COURT TORRANCE, CA 90505	-PROPRIETARY- This document contains Proprietary information of LEDTRONICS, INC. It may not be copied, used or disclosed for any purpose without the prior express written consent of LEDTRONICS, INC.		TITLE RPLH30-02-0X-02Z47				
	.XXX ± .010 TOLERANCE PER ANSI-Y14.5 .XX ± .025 (UNLESS OTHERWISE STATED) ANGLES ± 0°,30' FRACT. ± 1/32		DWG NO	SCALE	SHEET	DATE	
			H3002007-CUST	1:1	1 OF 1	09-23-10	
		CODE IDENT NO.	DWG BY	CHK BY	QA	MFG	R&D
		8Z410	GP 09-23-10	PL 09-24-10			