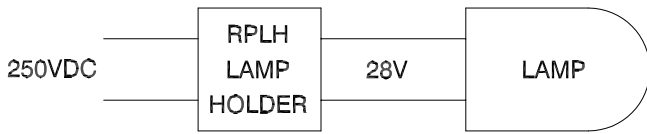


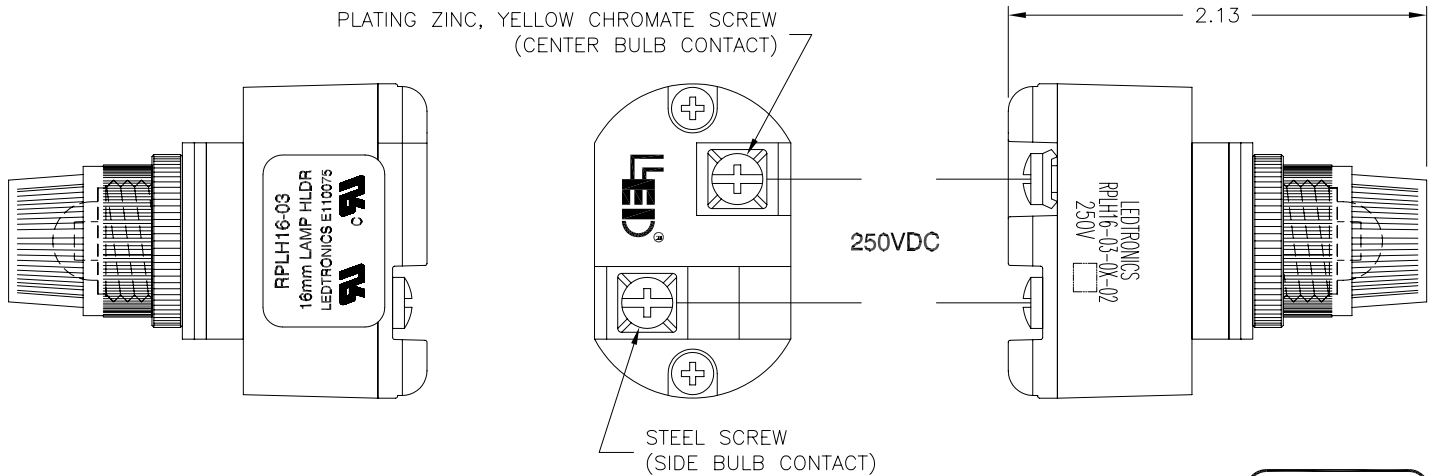
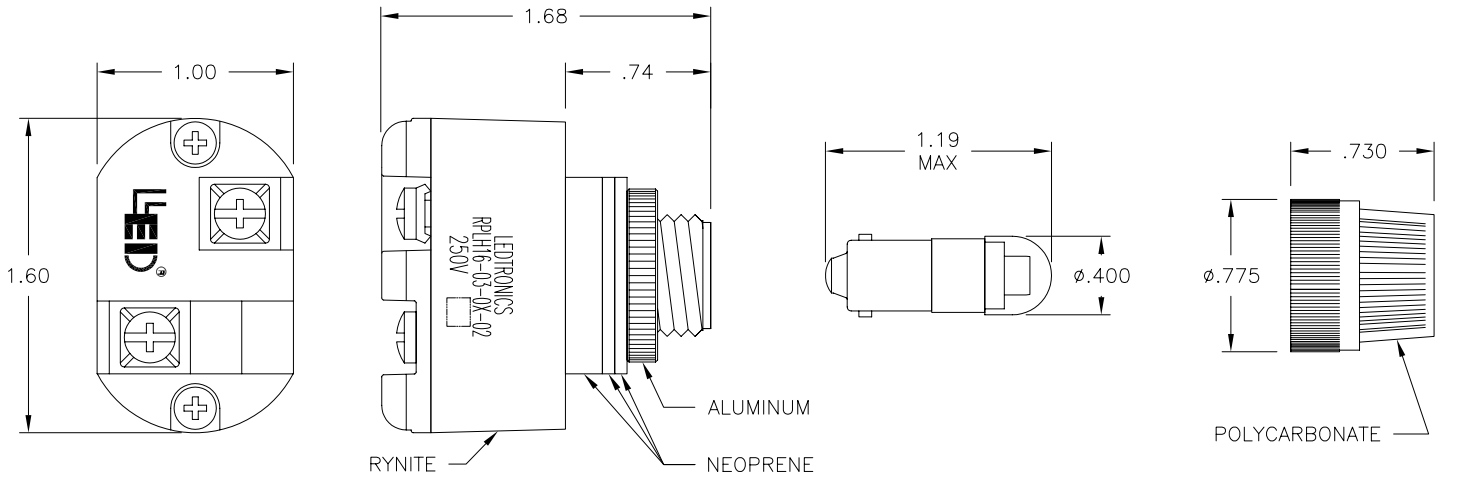
LTR	REVISION	DATE	APPD
-	RELEASED	03-29-11	



LAMP HOLDER SERIES - RPLH16-03

LED LAMP SERIES - RPLB-020X

LENS - RPLL16-XXF



RPLH16-03-0X-02

RoHS
COMPLIANT
2002/95/EC

RPLH16-03-01-02	250VDC	650	RED	RPLH16-03	RPLB-0201-28V	RPLL16-CRF
RPLH16-03-02-02	250VDC	610	ORANGE	RPLH16-03	RPLB-0203-28V	RPLL16-CAF
RPLH16-03-03-02	250VDC	596	YELLOW	RPLH16-03	RPLB-0204-28V	RPLL16-CYF
RPLH16-03-04-02	250VDC	519	GREEN	RPLH16-03	RPLB-0206-28V	RPLL16-CGF
RPLH16-03-05-02	250VDC	462	BLUE	RPLH16-03	RPLB-0208-28V	RPLL16-CBF
RPLH16-03-06-02	250VDC	8000K	WHITE	RPLH16-03	RPLB-0209-28V	RPLL16-TWF
RPLH16-03-07-02	250VDC	8000K	CLEAR	RPLH16-03	RPLB-0210-28V	RPLL16-CWF
LEDTRONICS PART NO.	INPUT VOLTAGE, V	λP nm	COLOR EMITTED	LAMP HOLDER PART NO.	LED LAMP PART NO.	LENS PART NO.
	ELECTRICAL TEST					

LED[®]
LEDTRONICS, INC.[™]
23105 KASHIWA COURT
TORRANCE, CA 90505

-PROPRIETARY-
This document contains Proprietary information of LEDTRONICS, INC. It may not be copied, used or disclosed for any purpose without the prior express written consent of LEDTRONICS, INC.

.XXX ± .010 TOLERANCE PER ANSI-Y14.5
.XX ± .025 (UNLESS OTHERWISE STATED)
ANGLES ± 0°,30'
FRACT. ± 1/32

TITLE RPLH16-03-XX-02					
DWG NO H1602004-INT		SCALE 1:1	SHEET 1 OF 1	DATE 03-29-11	
CODE IDENT NO. 8Z410	DWG BY GP 03-29-11	CHK BY PL 03-29-11	QA	MFG	R&D