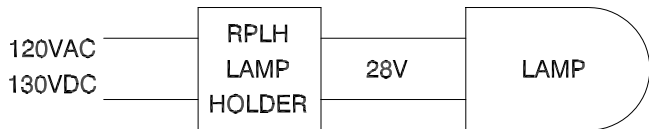


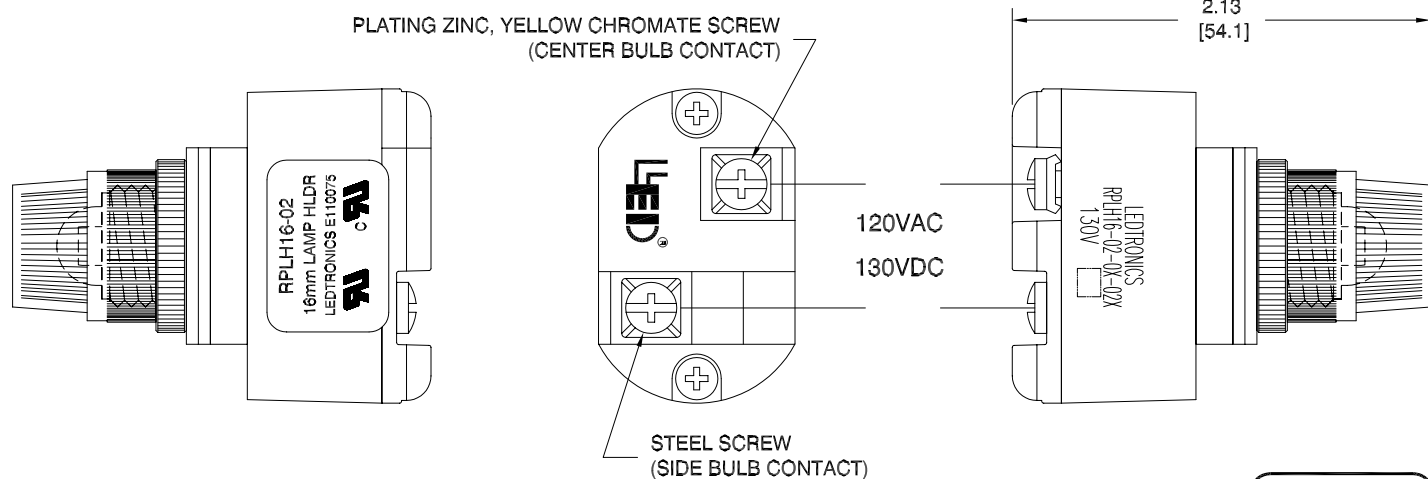
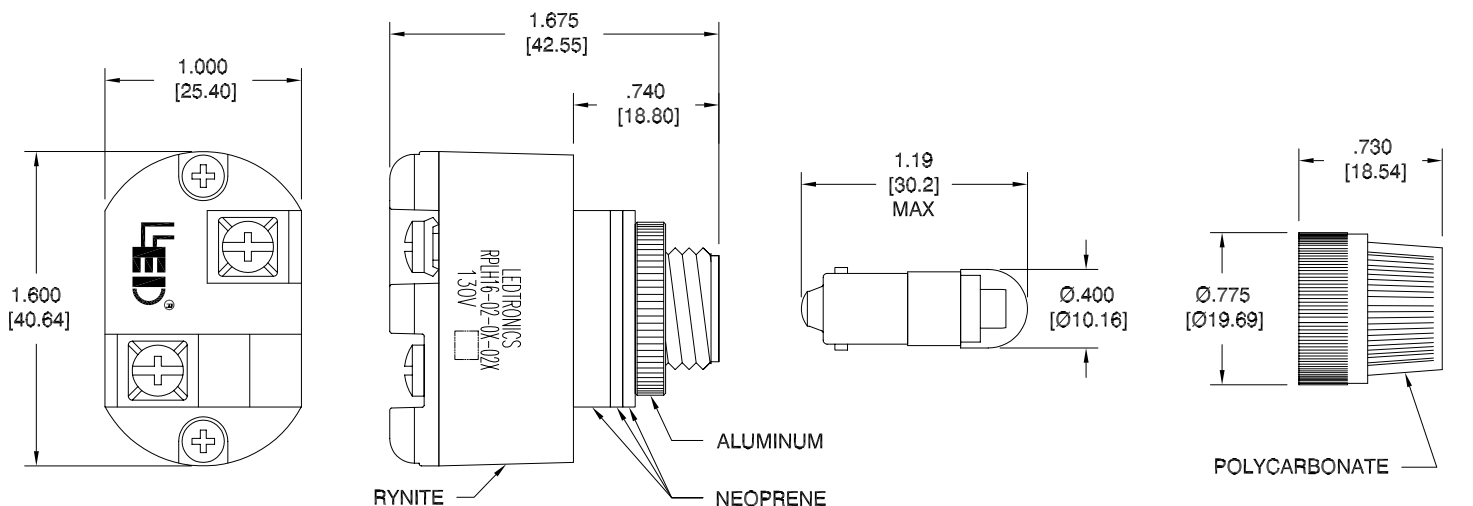
LTR	REVISION	DATE	APPD
A	021513-PL01: ADDED NOTES	02-19-13	GP



LAMP HOLDER SERIES - RPLH16-02

LED LAMP SERIES - RPLB-020X

LENS - RPLL16-XXF



RPLH16-02-0X-02X



NOTES:

1. ALL DIMENSIONS ARE IN INCHES [MILLIMETERS].
2. ACCEPTABLE OPERATION AT VOLTAGES: 50VAC/DC TO 140VAC/DC

RPLH16-02-01-02	130VDC/120VAC	650	RED	RPLH16-02	RPLB-0201-28V	RPLL16-CRF
RPLH16-02-02-02	130VDC/120VAC	610	ORANGE	RPLH16-02	RPLB-0203-28V	RPLL16-CAF
RPLH16-02-03-02	130VDC/120VAC	596	YELLOW	RPLH16-02	RPLB-0204-28V	RPLL16-CYF
RPLH16-02-03-02A	130VDC/120VAC	596	YELLOW	RPLH16-02	RPLB-0204-28V	RPLL16-CAF
RPLH16-02-04-02	130VDC/120VAC	519	GREEN	RPLH16-02	RPLB-0206-28V	RPLL16-CGF
RPLH16-02-05-02	130VDC/120VAC	462	BLUE	RPLH16-02	RPLB-0208-28V	RPLL16-CBF
RPLH16-02-06-02	130VDC/120VAC	8000K	WHITE	RPLH16-02	RPLB-0209-28V	RPLL16-TWF
RPLH16-02-07-02	130VDC/120VAC	8000K	CLEAR	RPLH16-02	RPLB-0209-28V	RPLL16-CWF
LEDTRONICS PART NO.	INPUT VOLTAGE, V	λP nm	COLOR EMITTED	LAMP HOLDER PART NO.	LED LAMP PART NO.	LENS PART NO.
	ELECTRICAL TEST					

LED[®]
LEDTRONICS,™ INC.
23105 KASHIWA COURT
TORRANCE, CA 90505

-PROPRIETARY-
This document contains Proprietary information of LEDTRONICS,™ INC. It may not be copied, used or disclosed for any purpose without the prior express written consent of LEDTRONICS,™ INC.
 .XXX ± .010 TOLERANCE PER ANSI-Y14.5
 .XX ± .025 (UNLESS OTHERWISE STATED)
 ANGLES ± 0',30'
 FRACT. ± 1/32

TITLE					
RPLH16-02-0X-02X					
DWG NO	SCALE	SHEET	DATE		
H1602001-INT	1:1	1 OF 1	02-28-11		
CODE IDENT NO.	DWG BY	CHK BY	QA	MFG	R&D
8Z410	GP 02-28-11	PL 02-25-13			BJ 02-19-13