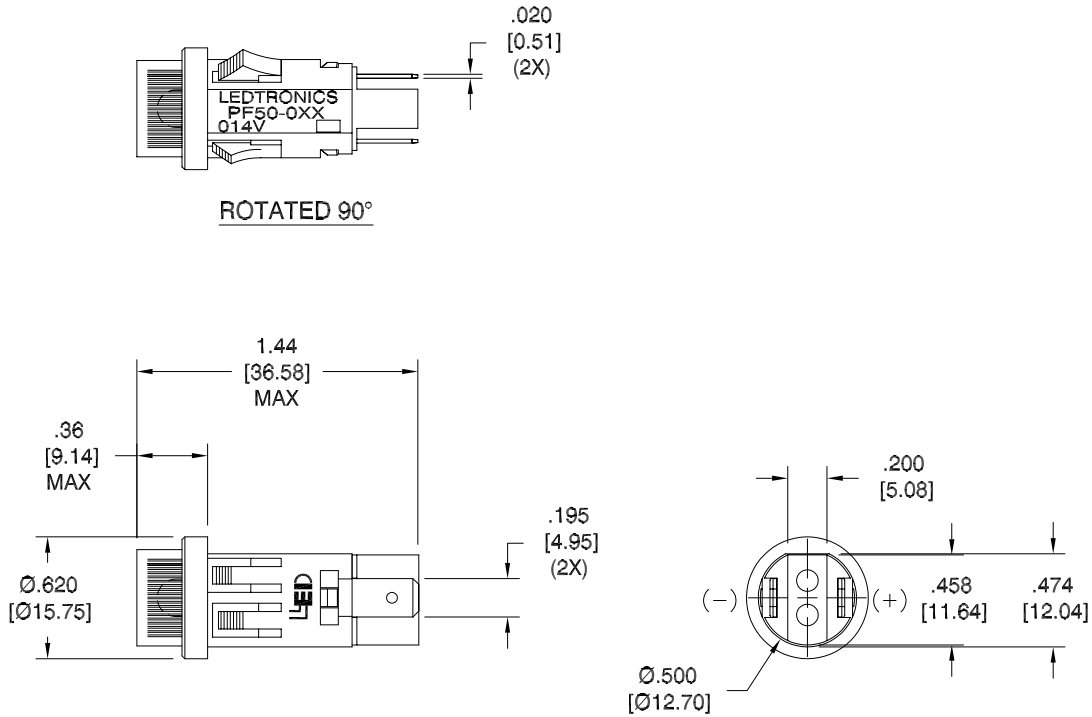


LTR	REVISION	DATE	APPD
-	RELEASED	07-03-12	



**NOTES:**

1. ALL DIMENSIONS ARE IN INCHES [MILLIMETERS].
2. MOUNTING DIAMETER: Ø1/2" (12.7mm)
3. LENS MATERIAL: LEXAN 101-112
4. SLEEVE MATERIAL: BLACK, NYLON 66 (UL94V-1 MIN / UL94V-0 PREF)
5. HEADER MATERIAL: BLACK, NYLON 66 (UL94V-1 MIN / UL94V-0 PREF)
6. TERMINAL MATERIAL: BRASS S.A.E. CA 360, FEDERAL QQ-B-626 ALLOY 360  
FINISH: TIN PLATE MIL-T-10727 TYPE I, DULL FINISH, .0001-.00025 THICK.



REVISION NOTIFICATION	
<input type="checkbox"/>	PMA
<input type="checkbox"/>	UL
<input type="checkbox"/>	MADE IN USA
<input type="checkbox"/>	CUSTOMER _____
<input type="checkbox"/>	OTHER

PF50-0UR-014V-T	-	ULTRA RED	14Vdc	0.020 A	0.900cd	652	180°
PF50-0UY-014V-T	-	SUPER YELLOW	14Vdc	0.020 A	1.800cd	595	180°
PF50CG5-14V-T	PF50CG5-14V/20-B/T1	HI-EFF GREEN	14Vdc	0.010-0.012	0.145cd	566	180°
LEDTRONICS PART NO.	DESCRIPTION PART NO.	COLOR EMITTED	ELECTRICAL TEST				VIEWING ANGLE (FULL BEAM WIDTH @ 50% INTENSITY)
			INPUT VOLTAGE, V	CURRENT (A)	MAXIMUM CANDELA	λP nm	

**LED**<sup>®</sup>  
LEDTRONICS,™ INC.  
23105 KASHIWA COURT  
TORRANCE, CA 90505

**-PROPRIETARY-**  
This document contains Proprietary information of LEDTRONICS,™ INC. It may not be copied, used or disclosed for any purpose without the prior express written consent of LEDTRONICS,™ INC.  
 .XXX ± .010 TOLERANCE PER ANSI-Y14.5  
 .XX ± .025 (UNLESS OTHERWISE STATED)  
 ANGLES ± 0°,30'  
 FRACT. ± 1/32

TITLE <b>PF50-0XX-014V-T</b> <b>PF50CXX-14V-T</b>					
DWG NO	SCALE	SHEET	DATE		
PF50-14VDC-T	1:1	1 OF 1	07-03-12		
CODE IDENT NO. 8Z410	DWG BY GP 07-03-12	CHK BY PL 07-03-12	QA	MFG	R&D