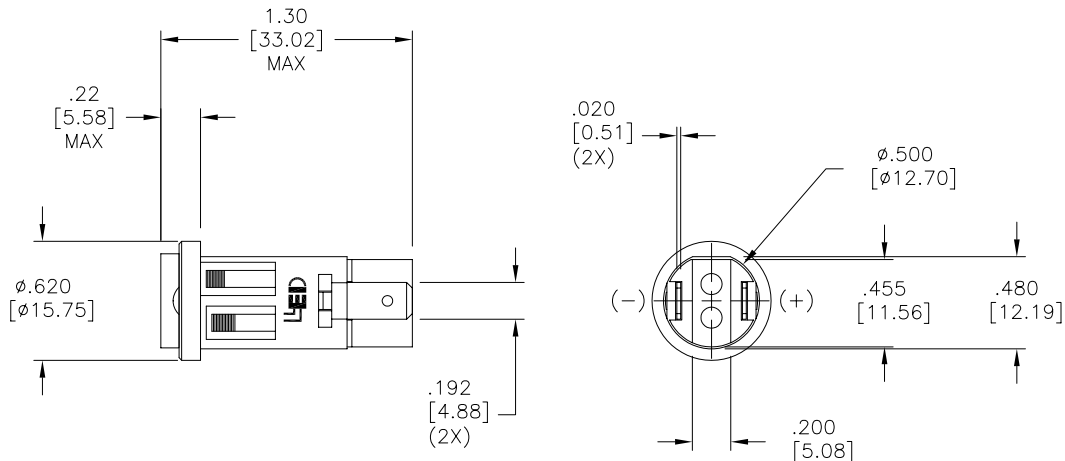


LTR	REVISION	DATE	APPD
-	RELEASED	01-16-08	



**NOTES:**

- PARTS WITH (\*) ARE "RoHS" CERTIFIED.
- SLEEVE MATERIAL: NYLON 66 (UL94V-1 MIN / UL94V-0 PREF)
- HEADER MATERIAL: NYLON 66 (UL94V-1 MIN / UL94V-0 PREF)
- LENS MATERIAL: GE LEXAN 101-112
- TERMINAL MATERIAL: BRASS S.A.E. CA 360, FEDERAL QQ-B-626 ALLOY 360  
TERMINAL FINISH: TIN PLATE MIL-T-10727 TYPE I, DULL FINISH, .0001-.00025 THICK.



REVISION NOTIFICATION	
<input type="checkbox"/>	PMA
<input type="checkbox"/>	UL
<input type="checkbox"/>	CUSTOMER _____
<input type="checkbox"/>	OTHER

LEDTRONICS PART NO.	DESCRIPTION PART NO.	COLOR EMITTED	SET VOLTS	READ mA typ	Iv mod typ	$\lambda_P$ nm	LED FULL ANGLE	
PFS50CG5-120VAC-T*	-	HI-EFF GREEN	120VAC	6-8	87	568	20°	*
PFS50CR6-120VAC-T*	-	SUPER RED	120VAC	6-8	135	660	20°	*
PFS50CY5-120VAC-T	-	AMBER YELLOW	120VAC	6-8	30	585	20°	
PFS50-0AG-120A-T*	-	AQUA GREEN	120VAC	6-8	2500	525	15°	*
PFS50-0CW-120A-T	PFS50CW1K-120V-T	WARM WHITE	120VAC	6-8	-	6000K	12-15°	
PFS50-0UG-120A-T	PFS50CG1K-120VAC-T	SUPER GREEN	120VAC	6-8	-	570	12-15°	
PFS50-0UO-120A-T	-	SUPER ORANGE	120VAC	6-8	-	610	12-15°	
PFS50-0UR-120A-T*	-	ULTRA RED	120VAC	6-8	450	660	12-15°	*
PFS50-0UY-120A-T	PFS50CY3K-120VAC-T	YELLOW	120VAC	6-8	900	596	12-15°	
PFS50-1PB-120A-T*	-	SUPER BLUE	120VAC	6-8	-	470	12-15°	*

**LEDTRONICS, INC.**  
23105 KASHIWA COURT  
TORRANCE, CA 90505

**-PROPRIETARY-**  
This document contains Proprietary information of LEDTRONICS, INC. It may not be copied, used or disclosed for any purpose without the prior express written consent of LEDTRONICS, INC.

.XXX ± .010 TOLERANCE PER ANSI-Y14.5  
.XX ± .025 (UNLESS OTHERWISE STATED)  
ANGLES ± 0°,30'  
FRACT. ± 1/32

TITLE <b>PFS50CXX-120VAC-T</b> <b>PFS50-XXX-120A-T</b>			
DWG NO PFS50-120VAC-T	SCALE 1:1	SHEET 1 OF 1	DATE 06-04-07
CODE IDENT NO. 8Z410	DWG BY GP	CHK BY PL 01-17-08	QA MNFG CUSTOMER