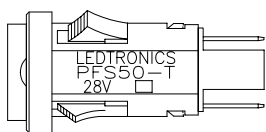
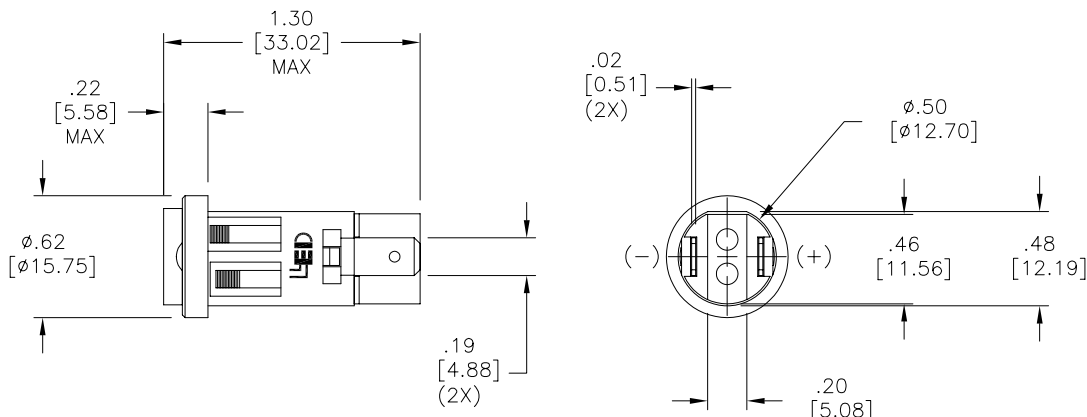


LTR	REVISION	DATE	APPD
-	RELEASED	05-28-10	



ROTATED 90°



NOTES:

- PARTS WITH (*) ARE RoHS CERTIFIED.
- MOUNTING DIAMETER: Ø1/2"
- LENS MATERIAL: LEXAN 101-112
- SLEEVE MATERIAL: NYLON 66 (UL94V-1 MIN / UL94V-0 PREF)
- HEADER MATERIAL: NYLON 66 (UL94V-1 MIN / UL94V-0 PREF)
- TERMINAL MATERIAL: BRASS S.A.E. CA 360, FEDERAL QQ-B-626 ALLOY 360
FINISH: TIN PLATE MIL-T-10727 TYPE I, DULL FINISH, .0001-.00025 THICK.



REVISION NOTIFICATION

- PMA
- UL
- CUSTOMER _____
- OTHER

PFS50-0AG-028V-T	-	AQUA GREEN	28	15	525	-	-
PFS50-0CW-028V-T	-	COOL WHITE	28	15	8000K	-	-
PFS50-0UO-028V-T*	-	SUPER ORANGE	28	20	610	-	-
PFS50-0UR-028V-T*	-	ULTRA RED	28	20	660	900	12°-15°
PFS50-0UY-028V-T	-	SUPER YELLOW	28	20	596	-	-
PFS50CG5-0002*	PFS50CG5-28V-T	HI-EFF GREEN	28	20	565	145	20°
PFS50CR5-28V-T*	-	HI-EFF RED	28	20	635	120	20°
PFS50CY5-28V-T*	-	YELLOW	28	20	585	50	20°
LEDTRONICS PART NO.	PART NO. DESCRIPTION	COLOR EMITTED	SET VOLTS	READ mA	λP nm	Iv mcd typ	VIEWING ANGLE
ELECTRICAL TEST							

*
*
*
*
*



-PROPRIETARY-
This document contains Proprietary information of LEDTRONICS, INC. It may not be copied, used or disclosed for any purpose without the prior express written consent of LEDTRONICS, INC.
 .XXX ± .010 TOLERANCE PER ANSI-Y14.5
 .XX ± .025 (UNLESS OTHERWISE STATED)
 ANGLES ± 0°,30'
 FRACT. ± 1/32

TITLE PFS50-0XX-028V-T PFS50CX5-28V-T			
DWG NO PFS50-28VDC-T	SCALE 1:1	SHEET 1 OF 1	DATE 05-28-10
CODE IDENT NO. 8Z410	DWG BY MM 05-28-10	CHK BY PL 05-28-10	QA MFG R&D