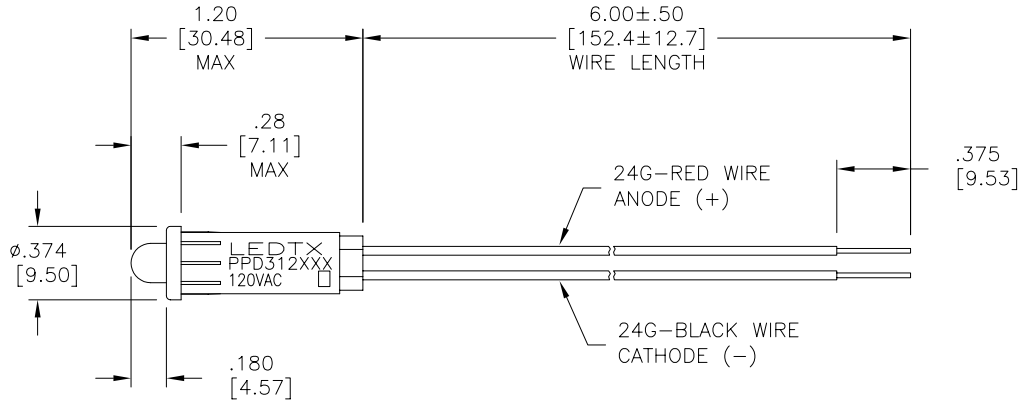


LTR	REVISION	DATE	APPD
-	RELEASED	05-02-11	



NOTES:

1. ALL DIMENSIONS ARE IN INCHES [MILLIMETERS].
2. PARTS WITH (*) ARE "RoHS" CERTIFIED.
3. MOUNTING DIAMETER: Ø5/16"
4. SLEEVE MATERIAL: NYLON 66 (UL94V-1 MINIMUM, UL94V-0 PREFERRED)

REVISION NOTIFICATION	
<input type="checkbox"/>	PMA
<input type="checkbox"/>	UL
<input type="checkbox"/>	MADE IN USA
<input type="checkbox"/>	CUSTOMER _____
<input type="checkbox"/>	OTHER

PPD312-OAG-120A-W6	PPD312CAG6K-120VAC-W6	AQUA GREEN	120VAC	4.5-6.5	521	16°
PPD312-OUR-120A-W6	PPD312CR3K-120VAC-W6	ULTRA RED	120VAC	4.5-6.5	652	18°
PPD312-OUY-120A-W6	PPD312CY3K-120VAC-W6	SUPER YELLOW	120VAC	4.5-6.5	596	30°
PPD312-1CW-120A-W6	PPD312CW6KB-120VAC/W6	COOL WHITE	120VAC	4.5-6.5	8000K	16°
PPD312-1PB-120A-W6	-	SUPER BLUE	120VAC	4.5-6.5	462	16°
PPD312T-OUY-120A-W6	PPD312TCY3K-120VAC-W6	ULTRA YELLOW	120VAC	4.5-6.5	588	35°
PPD312T-1AG-120A-W6	PPD312TCAG3KB-120VAC-W6	AQUA GREEN	120VAC	4.5-6.5	521	15°
PPD312TG5-0001	PPD312TG5-120VAC-W6	HI-EFF. GREEN	120VAC	5.5-8	565	60°
PPD312TR5-0002	PPD312TR5-120VAC-W6	HI-EFF. RED	120VAC	5.5-8	642	54°
LEDTRONICS PART NO.	DESCRIPTION PART NO.	COLOR EMITTED	INPUT VOLTAGE, V	READ mA min/max	λP nm	FULL VIEWING ANGLE
			ELECTRICAL TEST			

LED[®]
LEDTRONICS,™ INC.
 23105 KASHIWA COURT
 TORRANCE, CA 90505

-PROPRIETARY-
 This document contains Proprietary information of LEDTRONICS, INC. It may not be copied, used or disclosed for any purpose without the prior express written consent of LEDTRONICS, INC.

.XXX ± .010 TOLERANCE PER ANSI-Y14.5
 .XX ± .025 (UNLESS OTHERWISE STATED)
 ANGLES ± 0',30'
 FRACT. ± 1/32

TITLE					
PPD312-XXX-120A-W6 PPD312TX5-000X					
DWG NO	SCALE	SHEET	DATE		
PPD312-120VAC-W6	1:1	1 OF 1	05-02-11		
CODE IDENT NO.	DWG BY	CHK BY	QA	MFG	R&D
8Z410	GP 05-02-11				BJ 05-03-11