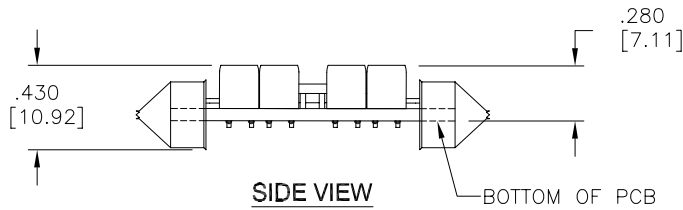
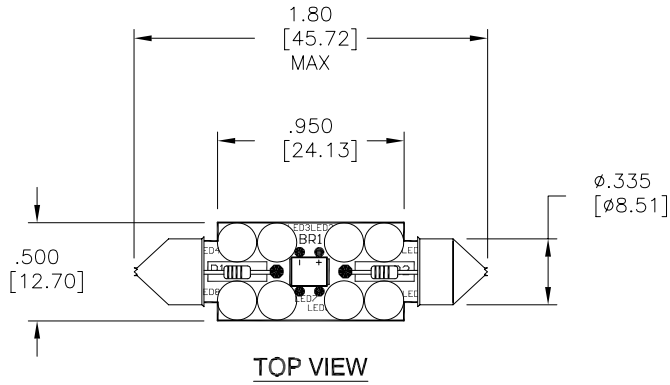


LTR	REVISION	DATE	APPD
-	RELEASED	04-27-10	



NOTES:

1. ALL DIMENSIONS ARE IN INCHES [MILLIMETERS].
2. BASE MATERIAL: NICKEL PLATED BRASS

REVISION NOTIFICATION	
<input type="checkbox"/>	PMA
<input type="checkbox"/>	UL
<input type="checkbox"/>	CUSTOMER _____
<input type="checkbox"/>	OTHER

FES001-08-XCW-028W	COOL WHITE	28V	30	0.78 W	5.4cd	23 lm	8000K	120°
FES001-08-XIW-028W	WARM WHITE	28V	30	0.78 W	4.5cd	19 lm	3000K	120°
LEDTRONICS PART NO.	COLOR EMITTED	ELECTRICAL TEST						
		INPUT VOLTAGE	INPUT CURRENT (mA)	ENERGY USED (WATTS)	TOTAL END FOOT CANDLES, cd	TOTAL LUMES	COLOR TEMP. (K)	FULL VIEWING ANGLE

LED[®]
LEDTRONICS, INC.[™]
 23105 KASHIWA COURT
 TORRANCE, CA 90505

-PROPRIETARY-
 This document contains Proprietary information of LEDTRONICS, INC. It may not be copied, used or disclosed for any purpose without the prior express written consent of LEDTRONICS, INC.

.XXX ± .010 TOLERANCE PER ANSI-Y14.5
 .XX ± .025 (UNLESS OTHERWISE STATED)
 ANGLES ± 0°,30'
 FRACT. ± 1/32

TITLE						FES001-08-XXW-028W		
DWG NO		SCALE		SHEET		DATE		
FES0005-CUST		1:1		1 OF 1		04-27-10		
CODE IDENT NO.	DWG BY GP	CHK BY PL	QA	MFG	R&D			
8Z410	04-27-10	04-27-10						