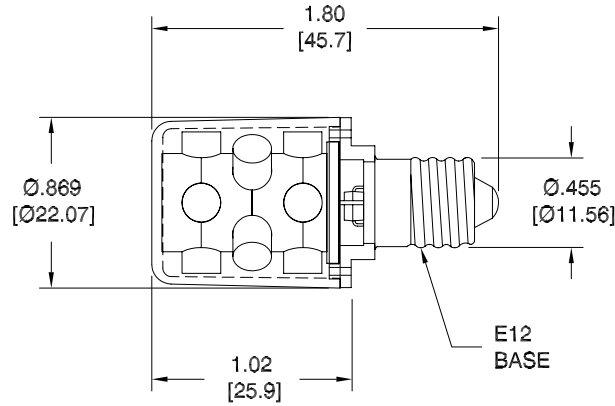


LTR	REVISION	DATE	APPD
-	RELEASED	04-17-12	



NOTES:

1. ALL DIMENSIONS ARE IN INCHES [MILLIMETERS].
2. LENS MATERIAL: WATERCLEAR, POLYCARBONATE LEXAN 101 (UL94V-2)
3. SLEEVE MATERIAL: CLEAR, POLYCARBONATE LEXAN 141
4. BASE MATERIAL: BRASS, NICKEL PLATED BRASS

REVISION NOTIFICATION	
<input type="checkbox"/>	PMA
<input type="checkbox"/>	UL
<input type="checkbox"/>	MADE IN USA
<input type="checkbox"/>	CUSTOMER _____
<input type="checkbox"/>	OTHER

LEDTRONICS PART NO.	COLOR EMITTED	INPUT VOLTAGE, V	CURRENT (A)	POWER (W)	MAXIMUM CANDELA	λP nm	COLOR TEMP. (K)
STL603-01-01	ULTRA RED	24VDC	0.060 A	1.44 W	1.475cd	652	-
STL603-03-01	AQUA GREEN	24VDC	0.045 A	1.08 W	4.800cd	518	-
STL603-04-01	SUPER YELLOW	24VDC	0.060 A	1.44 W	1.400cd	594	-
STL603-06-01	COOL WHITE	24VDC	0.045 A	1.08 W	1.920cd	-	8000K
ELECTRICAL TEST							

LED[®]
LEDTRONICS,™ INC.
 23105 KASHIWA COURT
 TORRANCE, CA 90505

-PROPRIETARY-
 This document contains Proprietary information of LEDTRONICS, INC. It may not be copied, used or disclosed for any purpose without the prior express written consent of LEDTRONICS, INC.

.XXX ± .010 TOLERANCE PER ANSI-Y14.5 (UNLESS OTHERWISE STATED)
 .XX ± .025
 ANGLES ± 0°,30'
 FRACT. ± 1/32

TITLE STL603-0X-01							
DWG NO STL60301-CUST		SCALE 1:1		SHEET 1 OF 1		DATE 04-17-12	
CODE IDENT NO. 8Z410	DWG BY GP 04-17-12	CHK BY PL 04-17-12	QA	MFG	R&D		