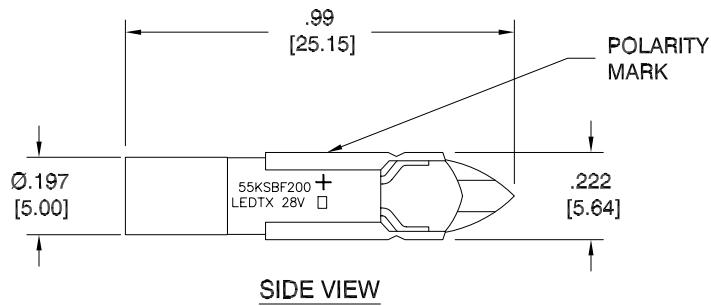
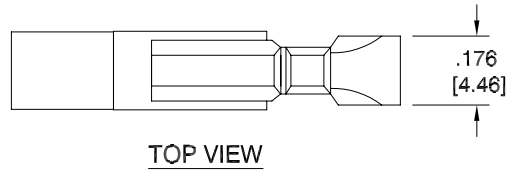


LTR	REVISION	DATE	APPD
-	RELEASED	11-05-12	



NOTES:

1. ALL DIMENSIONS ARE IN INCHES [MILLIMETERS].
2. SLEEVE MATERIAL: EPOXY
3. BASE MATERIAL: (INSULATOR) IS MADE FROM NYLON (FIXED BETWEEN (2) CONTACT BLADES).
(CONTACT BLADE) IS MADE FROM BRASS WITH NICKLE PLATED (BARREL).



ELECTRO-OPTICAL CHARACTERISTICS (Ta = 25°C)

LEDTRONICS PART NO.	COLOR EMITTED	INPUT VOLTAGE, V	POWER (W)	CURRENT (A)	MAXIMUM CANDELA	λP nm	VIEWING ANGLE (FULL BEAM WIDTH @ 50% INTENSITY)
55KSBF200-0AG-028V	AQUA GREEN	28Vdc	0.42W	0.015 A	0.400cd	520	80°
55KSBF200-0CW-028V	COOL WHITE	28Vdc	0.42W	0.015 A	0.160cd	8000K	90°
55KSBF200-0UR-028V	ULTRA RED	28Vdc	0.42W	0.015 A	0.085cd	650	85°

REVISION NOTIFICATION	
<input type="checkbox"/>	PMA
<input type="checkbox"/>	UL/ETL
<input type="checkbox"/>	MADE IN USA
<input type="checkbox"/>	CUSTOMER _____
<input type="checkbox"/>	OTHER



-PROPRIETARY-
This document contains Proprietary information of LEDTRONICS, INC. It may not be copied, used or disclosed for any purpose without the prior express written consent of LEDTRONICS, INC.

.XXX ± .010 TOLERANCE PER ANSI-Y14.5
.XX ± .025 (UNLESS OTHERWISE STATED)
ANGLES ± 0°,30'
FRACT. ± 1/32

TITLE 55KSBF200-0XX-028V					
DWG NO	SCALE	SHEET	DATE		
55KSBF200-28V-DC	2:1	1 OF 1	11-05-12		
CODE IDENT NO. 8Z410	DWG BY GP 11-05-12	CHK BY PL 11-07-12	QA	MFG	R&D