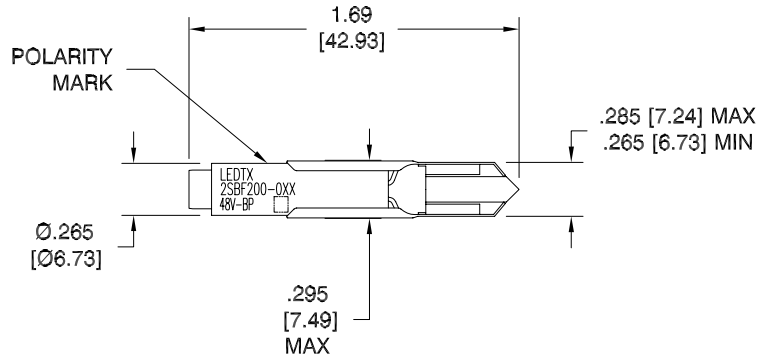


LTR	REVISION	DATE	APPD
-	RELEASED	10-28-11	



NOTES:

1. ALL DIMENSIONS ARE IN INCHES [MILLIMETERS].
2. ALL PARTS WITH (*) ARE RoHS CERTIFIED.
3. SLEEVE MATERIAL: EPOXY
4. BASE MATERIAL: (INSULATOR) NYLON #66 GRAY HSL103 ZYTEL/DUPONT (BARREL) NICKEL PLATED BRASS

REVISION NOTIFICATION	
<input type="checkbox"/>	PMA
<input type="checkbox"/>	UL
<input type="checkbox"/>	MADE IN USA
<input type="checkbox"/>	CUSTOMER _____
<input type="checkbox"/>	OTHER

2SBF200-0AG-048B	2SBF200CG6K-48V-BP	AQUA GREEN	48	12	320	520	80°
2SBF200-0CW-048B*	-	COOL WHITE	48	12	128	8000K	90°
2SBF200-0UR-048B	2SBF200CR3K-48V-BP	ULTRA RED	48	12	65	650	85°
LEDTRONICS PART NO.	DESCRIPTION PART NO.	COLOR EMITTED	ELECTRICAL TEST				VIEWING ANGLE FULL BEAM WIDTH @ 50% INTENSITY
			INPUT VOLTAGE, V	READ mA (typ)	Iv, mcd (typ)	λP nm	

 23105 KASHIWA COURT TORRANCE, CA 90505	-PROPRIETARY- This document contains Proprietary Information of LEDTRONICS, INC. It may not be copied, used or disclosed for any purpose without the prior express written consent of LEDTRONICS, INC.	TITLE 2SBF200-0XX-048B					
	.XXX ± .010 TOLERANCE PER ANSI-Y14.5 .XX ± .025 (UNLESS OTHERWISE STATED) ANGLES ± 0°,30' FRACT. ± 1/32	DWG NO 2SBF200-48V-BP	SCALE 1:1	SHEET 1 OF 1	DATE 10-28-11		
	CODE IDENT NO. 8Z410	DWG BY GP 10-28-11	CHK BY PL 10-31-11	QA	MFG	R&D LD 10-31-11	