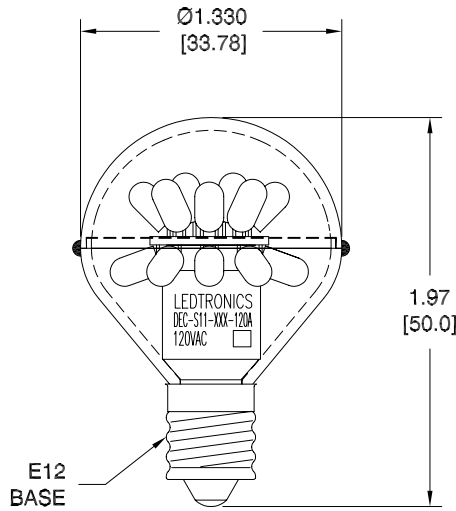


LTR	REVISION	DATE	APPD
-	RELEASED	05-09-12	



**NOTES:**

1. ALL DIMENSIONS ARE IN INCHES [MILLIMETERS].
2. ALL PARTS WITH (\*) ARE "RoHS" CERTIFIED.
3. LENS MATERIAL: WATER CLEAR, UV STABILIZED POLYCARBONATE
4. SLEEVE MATERIAL: WATER CLEAR, UV STABILIZED POLYCARBONATE
5. BASE MATERIAL: NICKEL PLATED BRASS
6. WEIGHT: 0.025 lbs.

REVISION NOTIFICATION	
<input type="checkbox"/>	PMA
<input type="checkbox"/>	UL
<input type="checkbox"/>	MADE IN USA
<input type="checkbox"/>	CUSTOMER _____
<input type="checkbox"/>	OTHER

DEC-S11-0UY-120A	SUPER YELLOW	120VAC	0.020 A	1.3 W	-	20 lm	-	-	595
DEC-S11-SIW-120A*	WARM WHITE	120VAC	0.015 A	1.0 W	7.6 cd	38 lm	38	-	2800~3200K
DEC-S11-TPW-120A*	TRUE WHITE	120VAC	0.014 A	0.8 W	8.7 cd	56 lm	69	70~73	4800~5200K
LEDTRONICS PART NO.	COLOR EMITTED	INPUT VOLTAGE, V	CURRENT (A)	POWER (WATTS)	MAXIMUM CANDELA	TOTAL LUMENS	EFFICACY (lm/W)	CRI	λP nm
									ELECTRICAL TEST

**LED**<sup>®</sup>  
**LEDTRONICS, INC.**<sup>™</sup>  
 23105 KASHIWA COURT  
 TORRANCE, CA 90505

**-PROPRIETARY-**  
 This document contains Proprietary information of LEDTRONICS, INC. It may not be copied, used or disclosed for any purpose without the prior express written consent of LEDTRONICS, INC.

.XXX ± .010 TOLERANCE PER ANSI-Y14.5 (UNLESS OTHERWISE STATED)  
 .XX ± .025  
 ANGLES ± 0°,30'  
 FRACT. ± 1/32

TITLE <b>DEC-S11-XXX-120A</b>					
DWG NO	SCALE	SHEET	DATE		
DEC00051-CUST	1:1	1 OF 1	05-09-12		
CODE IDENT NO.	DWG BY	CHK BY	QA	MFG	R&D
8Z410	GP 05-09-12				BJ 05-09-12