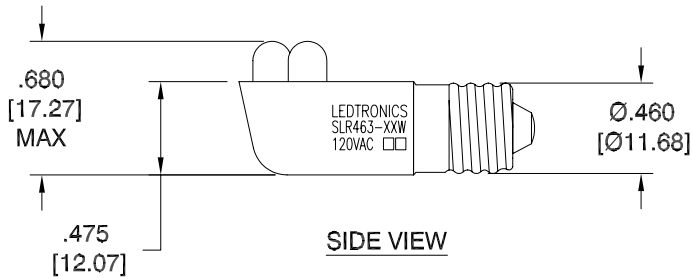
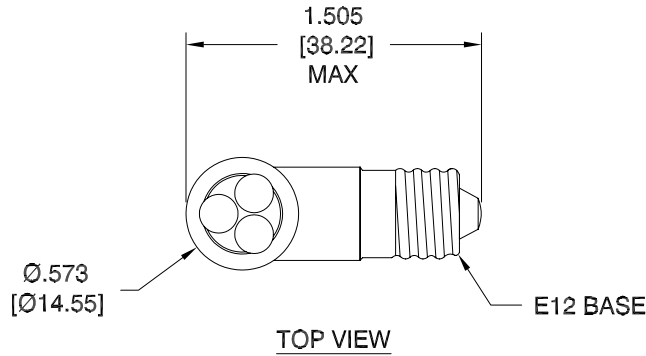


LTR	REVISION	DATE	APPD
A	121411-PL01: ADDED (SIW) & (TPW)	12-14-11	GP



**NOTES:**

1. ALL DIMENSIONS ARE IN INCHES [MILLIMETERS].
2. SLEEVE MATERIAL: RYNITE FR530
3. BASE MATERIAL: BRASS, NICKEL PLATED BRASS

REVISION NOTIFICATION
<input type="checkbox"/> PMA
<input type="checkbox"/> UL
<input type="checkbox"/> MADE IN USA
<input type="checkbox"/> CUSTOMER _____
<input type="checkbox"/> OTHER

SLR463-SIW-120AM	WARM WHITE	120VAC	0.0075 A	0.7 W	6.5	3.8 lm	0.36 scp	66	2800K~3200K	44°
SLR463-TPW-120AM	TRUE WHITE	120VAC	0.0075 A	0.7 W	7.2	5.0 lm	0.40 scp	75	4800K~5200K	35°
LEDTRONICS PART NO.	COLOR EMITTED	INPUT VOLTAGE, V	CURRENT (A)	POWER (Watts)	EFFICACY lm/W	LUMENS (typ)	SPHERICAL CANDELA (SCP)	CRI	COLOR TEMP. (Kelvin)	VIEWING ANGLE FULL BEAM WIDTH @ 50% INTENSITY
ELECTRICAL TEST										

**LED**<sup>®</sup>  
LEDTRONICS,™ INC.  
23105 KASHIWA COURT  
TORRANCE, CA 90505

**-PROPRIETARY-**  
This document contains Proprietary information of LEDTRONICS,™ INC. It may not be copied, used or disclosed for any purpose without the prior express written consent of LEDTRONICS,™ INC.

.XXX ± .010 TOLERANCE PER ANSI-Y14.5  
.XX ± .025 (UNLESS OTHERWISE STATED)  
ANGLES ± 0°,30'  
FRACT. ± 1/32

TITLE <b>SLR463-XXW-120AM</b>					
DWG NO	SCALE	SHEET	DATE		
SL463002-CUST	1:1	1 OF 1	02-03-09		
CODE IDENT NO. 8Z410	DWG BY GP 02-03-09	CHK BY PL 12-14-11	QA	MFG	R&D BJ 12-14-11