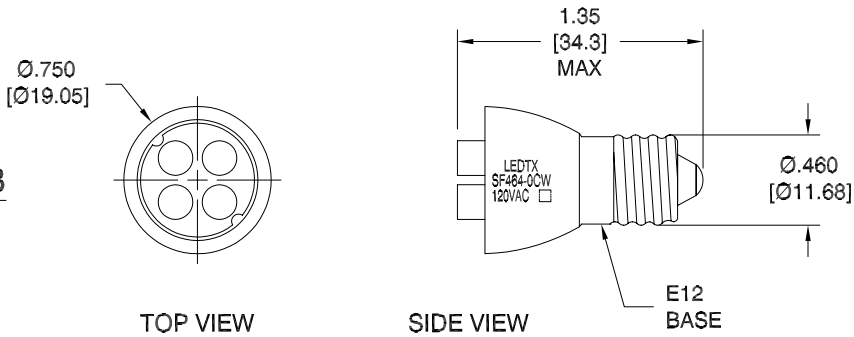
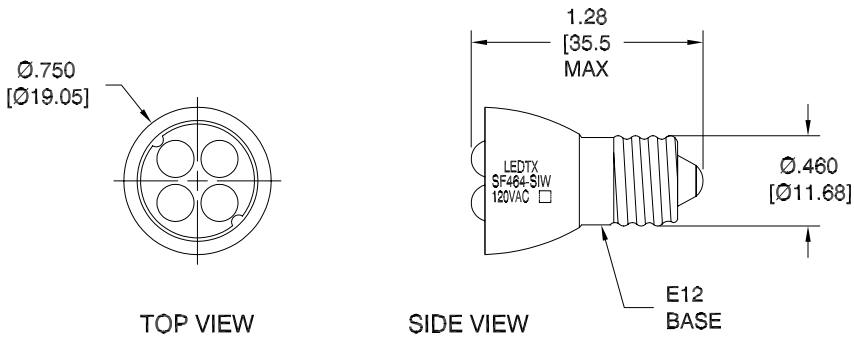


LTR	REVISION	DATE	APPD
-	RELEASED	12-19-12	

SF464-0CW-024B



SF464-SIW-120A



NOTES:

1. ALL DIMENSIONS ARE IN INCHES [MILLIMETERS].
2. SLEEVE MATERIAL: RYNITE FR530
3. BASE MATERIAL: BRASS
NICKEL PLATED BRASS

REVISION NOTIFICATION	
<input type="checkbox"/>	PMA
<input type="checkbox"/>	UL
<input type="checkbox"/>	MADE IN USA
<input type="checkbox"/>	CUSTOMER _____
<input type="checkbox"/>	OTHER

SF464-0CW-120A	COOL WHITE	120VAC	0.008 A	0.96 W	1.62 cd	-	8000K	120°
SF464-SIW-120A	WARM WHITE	120VAC	0.007 A	0.6 W	2.5 cd	68-70	2800K~3200K	130°
LEDTRONICS PART NO.	COLOR EMITTED	SET VOLTAGE, V	CURRENT (A)	POWER (W)	MAXIMUM CANDELA	CRI	COLOR TEMP. (Kelvin)	VIEWING ANGLE (FULL BEAM WIDTH @ 50% INTENSITY)
		ELECTRICAL TEST						



-PROPRIETARY-
This document contains Proprietary information of LEDTRONICS, INC. It may not be copied, used or disclosed for any purpose without the prior express written consent of LEDTRONICS, INC.

.XXX ± .010 TOLERANCE PER ANSI-Y14.5
.XX ± .025 (UNLESS OTHERWISE STATED)
ANGLES ± 0°,30'
FRACT. ± 1/32

TITLE					
SF464-XXW-120A					
DWG NO	SCALE	SHEET	DATE		
SF464-120VAC	1:1	1 OF 1	12-19-12		
CODE IDENT NO.	DWG BY GP	CHK BY PL	QA	MFG	R&D
8Z410	12-19-12	12-19-12			