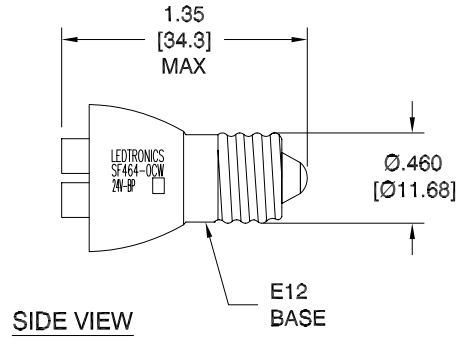
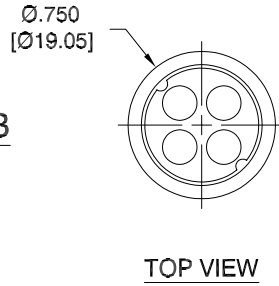
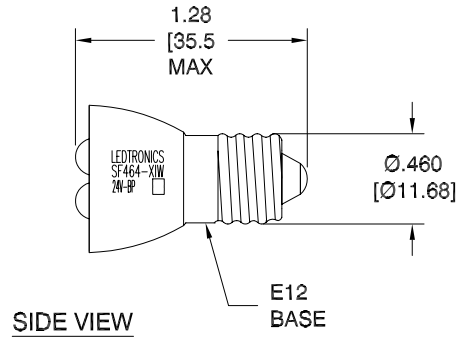
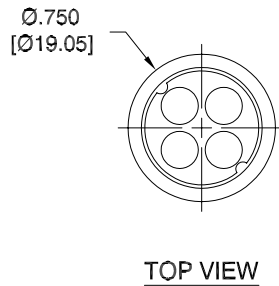


LTR	REVISION	DATE	APPD
-	RELEASED	08-02-12	

**SF464-0CW-024B**



**SF464-XIW-024B**



**NOTES:**

1. ALL DIMENSIONS ARE IN INCHES [MILLIMETERS].
2. SLEEVE MATERIAL: RYNITE FR530
3. BASE MATERIAL: BRASS  
NICKEL PLATED BRASS

REVISION NOTIFICATION	
<input type="checkbox"/>	PMA
<input type="checkbox"/>	UL
<input type="checkbox"/>	MADE IN USA
<input type="checkbox"/>	CUSTOMER _____
<input type="checkbox"/>	OTHER

SF464-0CW-024B	COOL WHITE	24Vdc	0.015 A	0.36 W	4.48 cd	68-70	8000K	120°
SF464-XIW-024B	WARM WHITE	24Vdc	0.015 A	0.36 W	3.3 cd	-	2800K~3200K	120°
LEDTRONICS PART NO.	COLOR EMITTED	SET VOLTAGE, V	CURRENT (A)	POWER (W)	MAXIMUM CANDELA	CRI	COLOR TEMP. (Kelvin)	VIEWING ANGLE (FULL BEAM WIDTH @ 50% INTENSITY)
		ELECTRICAL TEST						

**LED**<sup>®</sup>  
LEDTRONICS,™ INC.  
23105 KASHIWA COURT  
TORRANCE, CA 90505

**-PROPRIETARY-**  
This document contains Proprietary information of LEDTRONICS, INC. It may not be copied, used or disclosed for any purpose without the prior express written consent of LEDTRONICS, INC.

.XXX ± .010 TOLERANCE PER ANSI-Y14.5 (UNLESS OTHERWISE STATED)  
.XX ± .025  
ANGLES ± 0°,30'  
FRACT. ± 1/32

TITLE						<b>SF464-XXW-024B</b>		
DWG NO		SCALE		SHEET		DATE		
SF464-24V-BP		1:1		1 OF 1		08-02-12		
CODE IDENT NO.	DWG BY GP	CHK BY PL	QA	MFG	R&D			
8Z410	08-02-12	08-03-12						