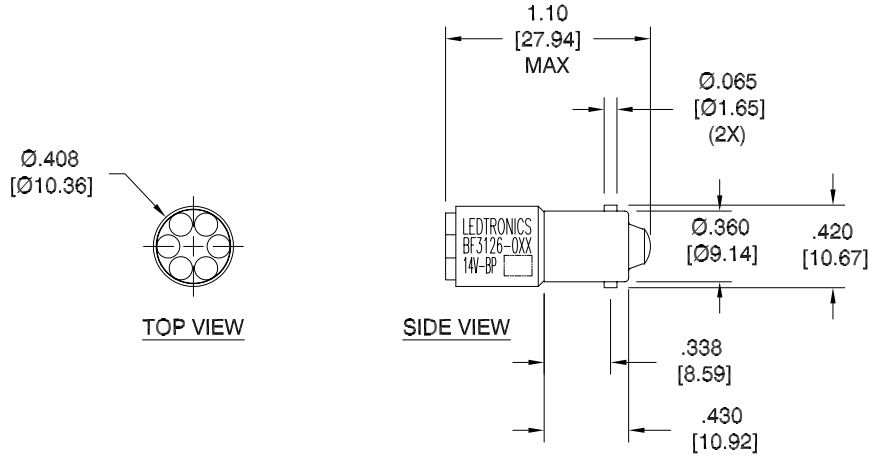


LTR	REVISION	DATE	APPD
-	RELEASED	10-09-12	



NOTES:

1. ALL DIMENSIONS ARE IN INCHES (MILLIMETERS).
2. SLEEVE MATERIAL: RYNITE FR530 (UL94V-1 MINIMUM, UL94V-0 PREFERRED)
3. BASE MATERIAL: SHELL (BODY) IS MADE FROM BRASS WITH NICKEL-PLATED (BAREL)

REVISION NOTIFICATION

<input type="checkbox"/> PMA
<input type="checkbox"/> UL/ETL
<input type="checkbox"/> MADE IN USA
<input type="checkbox"/> CUSTOMER _____
<input type="checkbox"/> OTHER

BF3126-0AG-014B	AQUA GREEN	14Vdc	0.025 A	0.35W	1.200cd	520	-	120°
BF3126-0CW-014B	COOL WHITE	14Vdc	0.025 A	0.35W	0.900cd	-	8000K	120°
BF3126-0UR-014B	ULTRA RED	14Vdc	0.030 A	0.42W	0.600cd	654	-	120°
BF3126-0UY-014B	SUPER YELLOW	14Vdc	0.030 A	0.42W	0.380cd	595	-	120°
LEDTRONICS PART NO.	COLOR EMITTED	INPUT VOLTAGE, V	CURRENT (A)	POWER (W)	MAXIMUM CANDELA	λP nm	COLOR TEMP. (K)	VIEWING ANGLE (FULL BEAM WIDTH @ 50% INTENSITY)
ELECTRICAL TEST								

<p>LEDTRONICS, INC. 23105 KASHIWA COURT TORRANCE, CA 90505</p>	<p>-PROPRIETARY- This document contains Proprietary information of LEDTRONICS, INC. It may not be copied, used or disclosed for any purpose without the prior express written consent of LEDTRONICS, INC.</p> <p>.XXX ± .010 TOLERANCE PER ANSI-Y14.5 .XX ± .025 (UNLESS OTHERWISE STATED) ANGLES ± 0°,30' FRACT. ± 1/32</p>	<p>TITLE BF3126-0XX-014B</p>					
		DWG NO	SCALE	SHEET	DATE		
		BF3126-14V-BP	1:1	1 OF 1	10-09-12		
CODE IDENT NO.	DWG BY	CHK BY	QA	MFG	R&D		
8Z410	GP 10-09-12	PL 10-10-12					