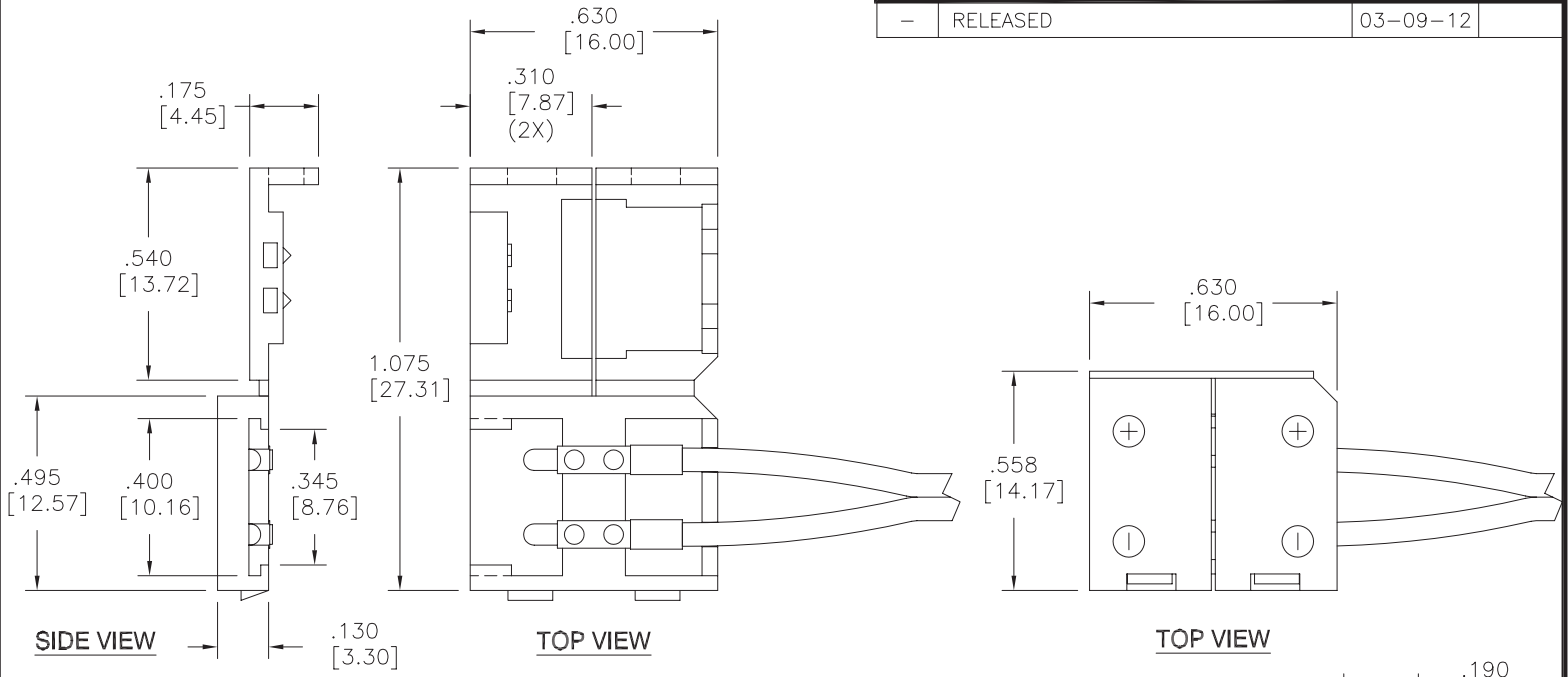


LTR	REVISION	DATE	APPD
-	RELEASED	03-09-12	

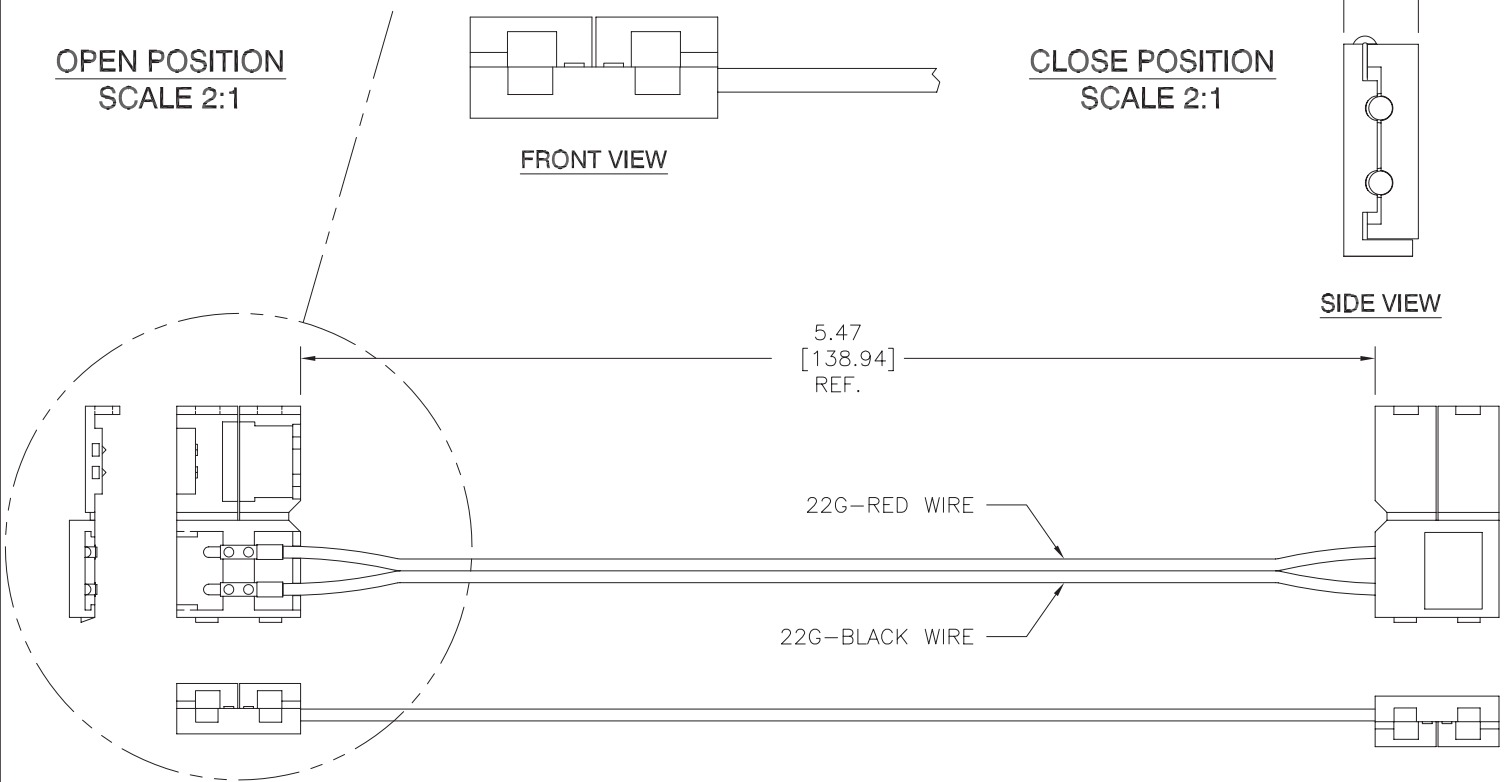


OPEN POSITION
SCALE 2:1

CLOSE POSITION
SCALE 2:1

FRONT VIEW

SIDE VIEW



NOTES:

1. ALL DIMENSIONS ARE IN INCHES [MILLIMETERS].



LED[®]
LEDTRONICS,™ INC.
23105 KASHIWA COURT
TORRANCE, CA 90505

-PROPRIETARY-
This document contains Proprietary information of LEDTRONICS, INC. It may not be copied, used or disclosed for any purpose without the prior express written consent of LEDTRONICS, INC.
.XXX ± .010 TOLERANCE PER ANSI-Y14.5 (UNLESS OTHERWISE STATED)
.XX ± .025
ANGLES ± 0°,30'
FRACT. ± 1/32

TITLE		CONN-05-001			
DWG NO	SCALE	SHEET	DATE		
CMHD0592	1:1	1 OF 1	03-09-12		
CODE IDENT NO.	DWG BY	CHK BY	QA	MFG	R&D
8Z410	GP 03-09-12	PL 03-19-12			