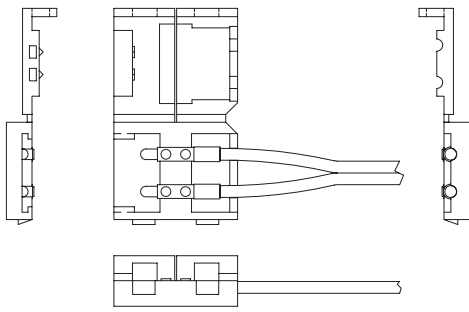
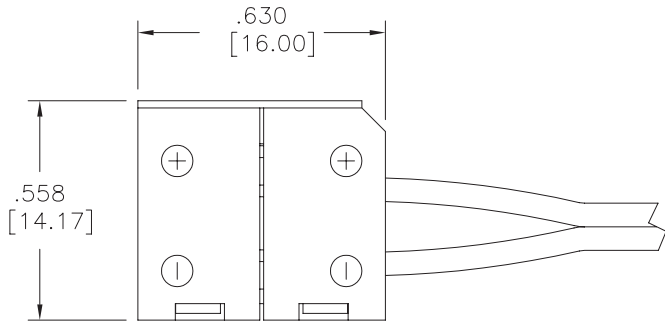


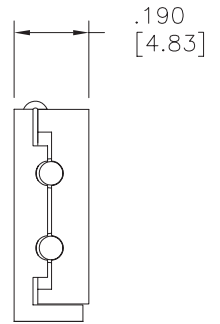
LTR	REVISION	DATE	APPD
-	RELEASED	03-09-12	



ACTUAL SIZE

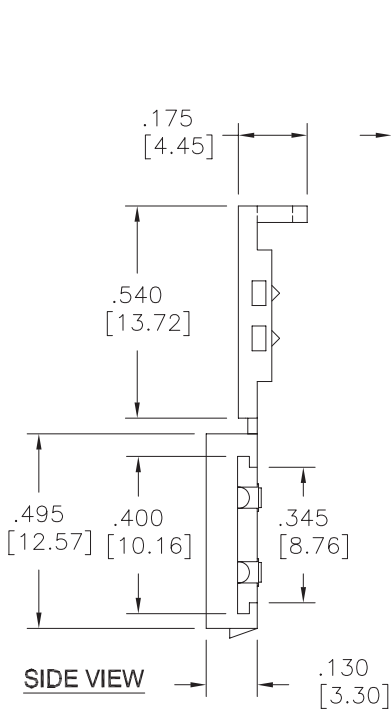


TOP VIEW

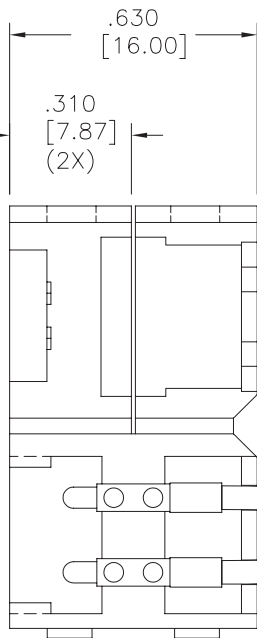


SIDE VIEW

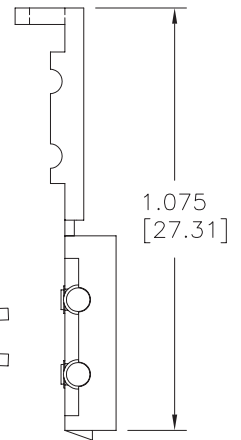
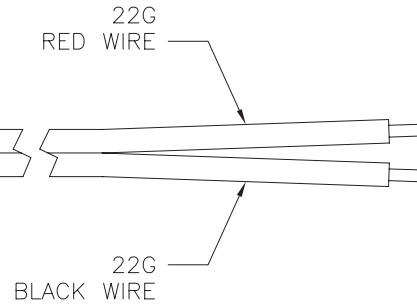
CLOSE POSITION



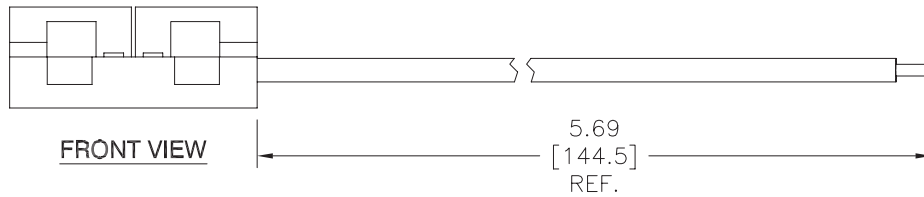
SIDE VIEW



TOP VIEW



OPEN POSITION



FRONT VIEW

NOTES:

1. ALL DIMENSIONS ARE IN INCHES [MILLIMETERS].



LED[®]
LEDTRONICS, INC.[™]
 23105 KASHIWA COURT
 TORRANCE, CA 90505

-PROPRIETARY-
 This document contains Proprietary information of LEDTRONICS, INC. It may not be copied, used or disclosed for any purpose without the prior express written consent of LEDTRONICS, INC.

.XXX ± .010 TOLERANCE PER ANSI-Y14.5 (UNLESS OTHERWISE STATED)
 .XX ± .025
 ANGLES ± 0°,30'
 FRACT. ± 1/32

TITLE		CONN-02-001	
DWG NO	SCALE	SHEET	DATE
CMHD0591	2:1	1 OF 1	03-09-12
CODE IDENT NO.	DWG BY	CHK BY	QA
8Z410	GP 03-09-12	PL 03-19-12	
MFG	R&D		