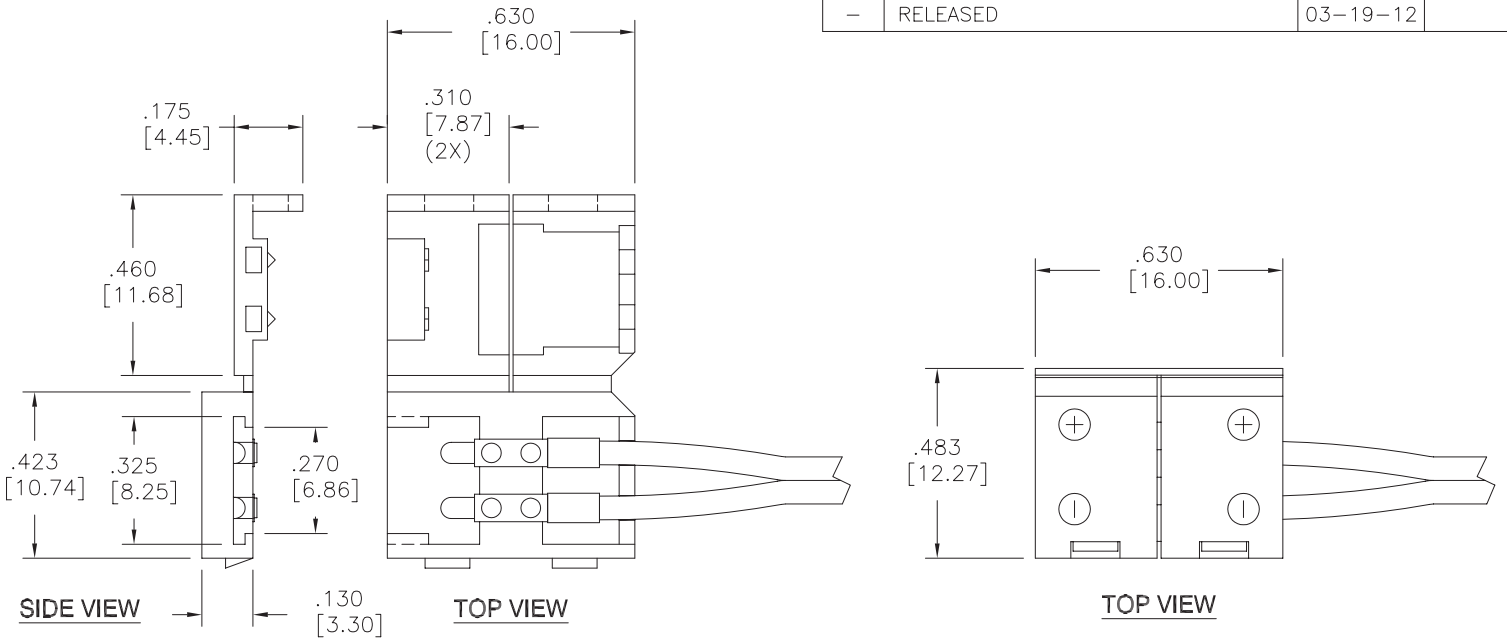
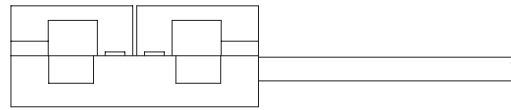


LTR	REVISION	DATE	APPD
-	RELEASED	03-19-12	

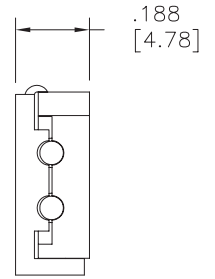


**OPEN POSITION**  
SCALE 2:1

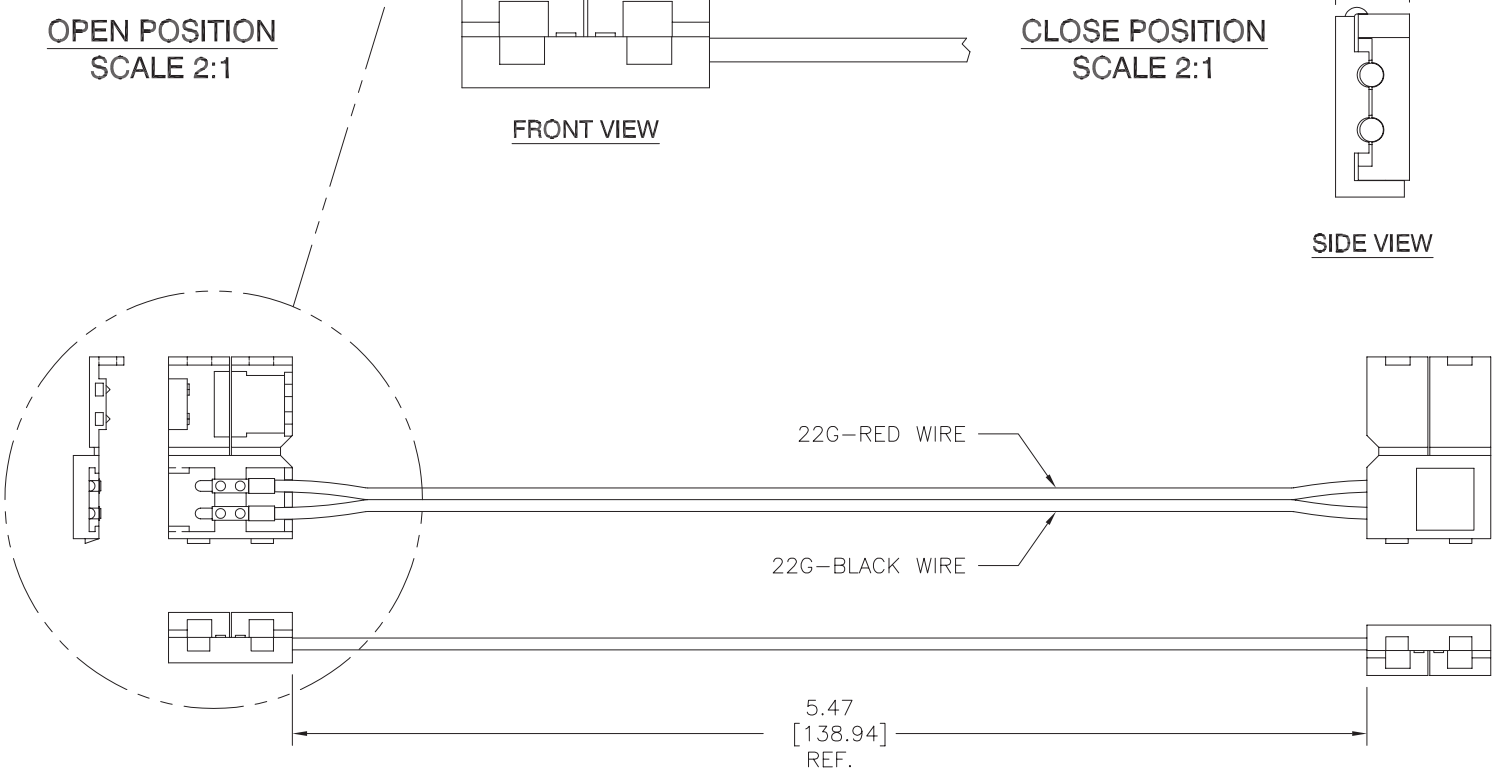


**FRONT VIEW**

**CLOSE POSITION**  
SCALE 2:1



**SIDE VIEW**



**NOTES:**

1. ALL DIMENSIONS ARE IN INCHES [MILLIMETERS].

8mm Snap Connector for LEDtronics PLT08 Series, 8mm Flexible Ribbon Path Light  
6-inch nominal length. Clamps on both ends.



**-PROPRIETARY-**  
This document contains Proprietary information of LEDTRONICS, INC. It may not be copied, used or disclosed for any purpose without the prior express written consent of LEDTRONICS, INC.  
 .XXX ± .010 TOLERANCE PER ANSI-Y14.5  
 .XX ± .025 (UNLESS OTHERWISE STATED)  
 ANGLES ± 0°,30'  
 FRACT. ± 1/32

TITLE					
<b>CONN-04-001</b>					
DWG NO	SCALE	SHEET	DATE		
CMHD0597	1:1	1 OF 1	03-19-12		
CODE IDENT NO.	DWG BY	CHK BY	QA	MFG	R&D
8Z410	GP 03-19-12	PL 03-19-12			BJ 03-19-12