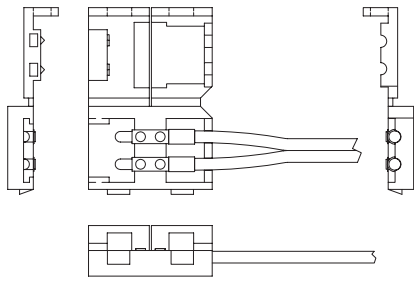
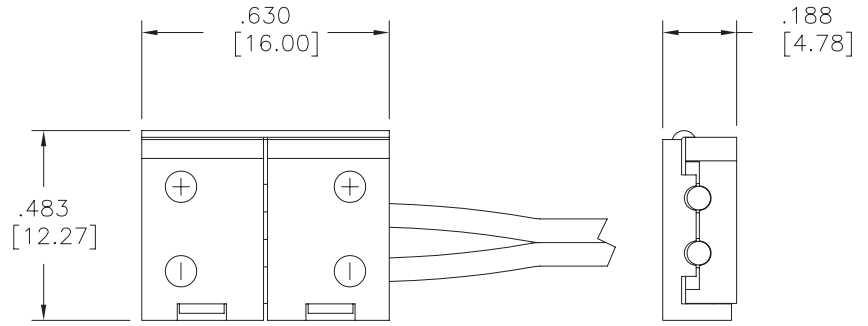


LTR	REVISION	DATE	APPD
-	RELEASED	03-09-12	



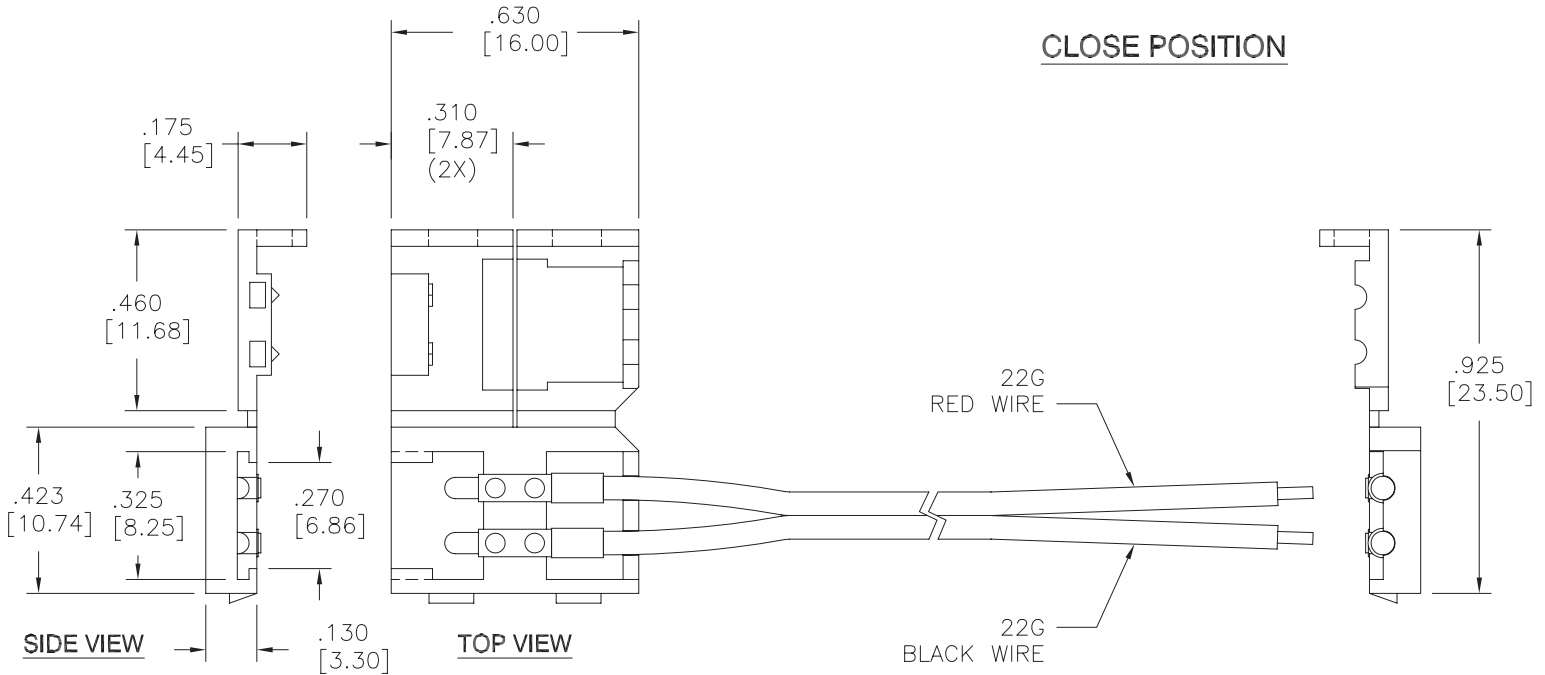
ACTUAL SIZE



TOP VIEW

SIDE VIEW

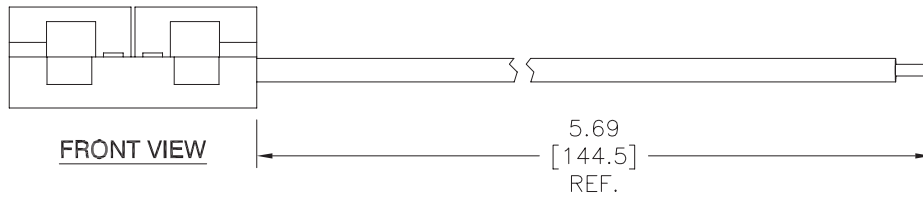
CLOSE POSITION



SIDE VIEW

TOP VIEW

OPEN POSITION



FRONT VIEW

NOTES:

- ALL DIMENSIONS ARE IN INCHES [MILLIMETERS].

8mm Snap Connector for LEDtronics PLT08 Series, 8mm Flexible Ribbon Path Light  
6-inch nominal length. Clamps on both ends.



**-PROPRIETARY-**  
This document contains Proprietary information of LEDTRONICS, INC. It may not be copied, used or disclosed for any purpose without the prior express written consent of LEDTRONICS, INC.

.XXX ± .010 TOLERANCE PER ANSI-Y14.5  
.XX ± .025 (UNLESS OTHERWISE STATED)  
ANGLES ± 0°,30'  
FRACT. ± 1/32

TITLE					
<b>CONN-01-001</b>					
DWG NO	SCALE	SHEET	DATE		
CMHD0600	2:1	1 OF 1	03-19-12		
CODE IDENT NO.	DWG BY	CHK BY	QA	MFG	R&D
8Z410	GP 03-19-12	PL 03-19-12			BJ 03-19-12