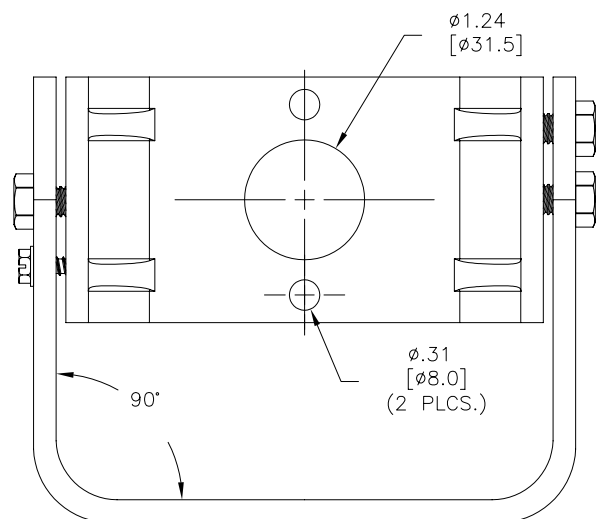
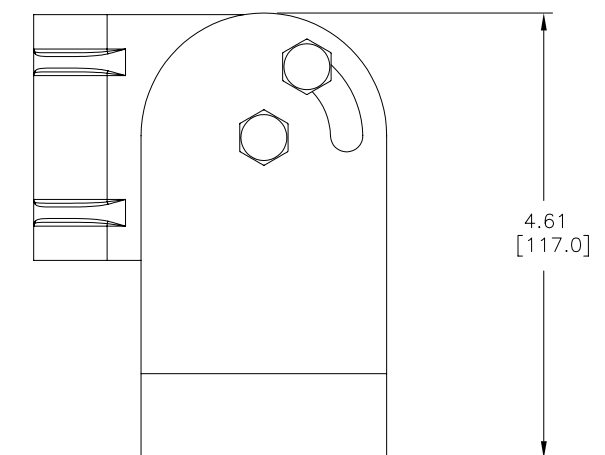


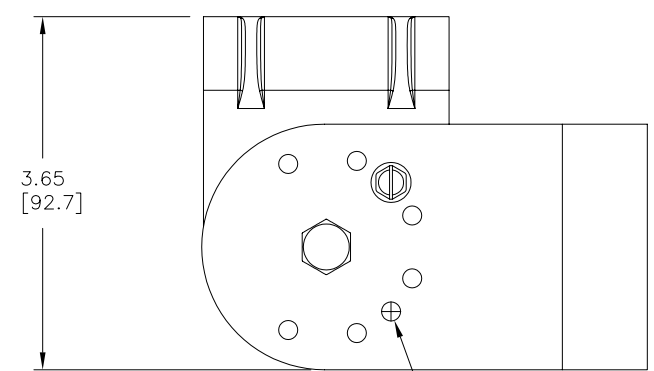
L. SIDE VIEW



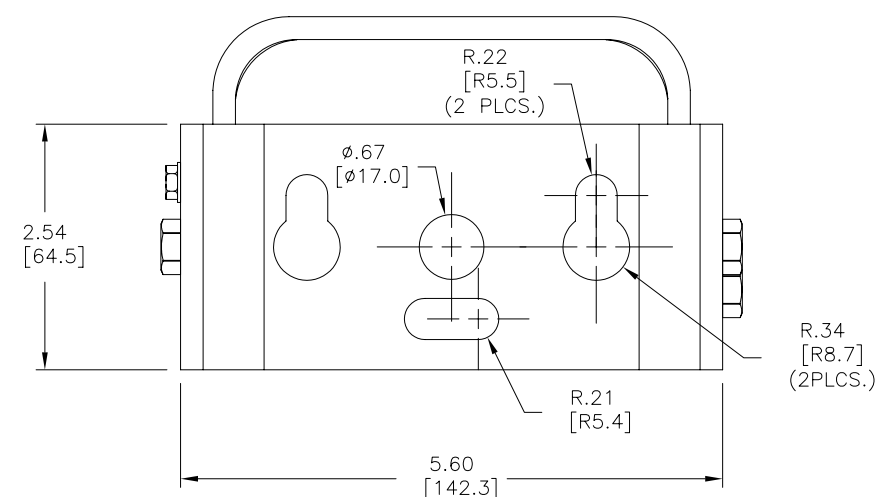
TOP VIEW



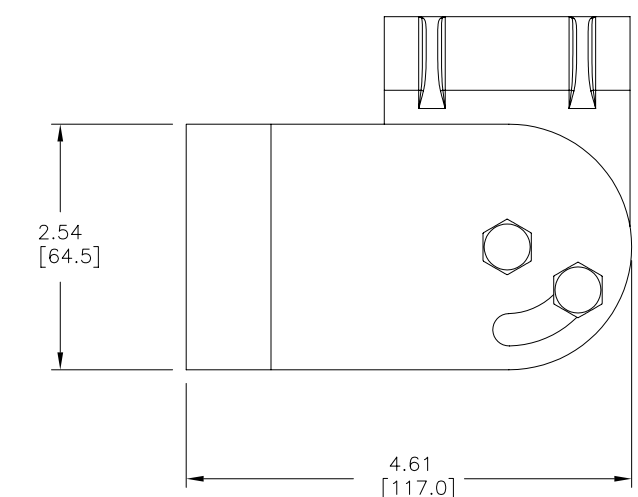
R. SIDE VIEW



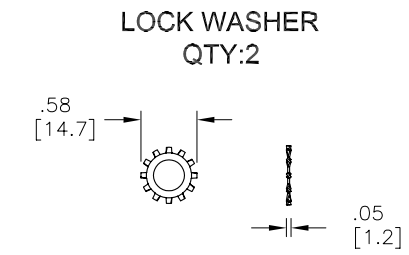
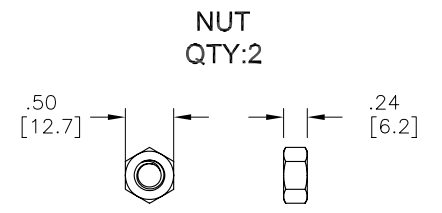
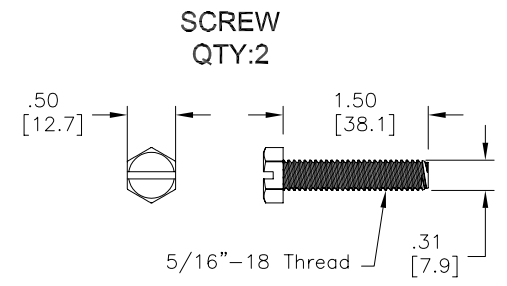
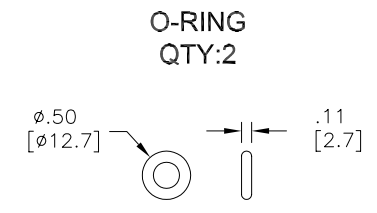
L. SIDE VIEW



FRONT VIEW



R. SIDE VIEW



- NOTES:**
- ALL DIMS ARE IN INCHES [MILLIMETERS].
 - (BRACKET) FINISH: BRONZE
 - (BRACKET) MATERIAL: H.R.S

REVISION NOTIFICATION	
<input type="checkbox"/>	PMA
<input type="checkbox"/>	UL
<input type="checkbox"/>	MADE IN USA
<input type="checkbox"/>	CUSTOMER _____
<input type="checkbox"/>	OTHER

<p>LED[®] LEDTRONICS,™ INC. 23105 KASHIWA COURT TORRANCE, CA 90505</p>	<p>-PROPRIETARY- This document contains Proprietary Information of LEDTRONICS,™ INC. It may not be copied, used or disclosed for any purpose without the prior express written consent of LEDTRONICS,™ INC.</p>		<p>TITLE SLB003-FL90BR-001</p>				
	<p>.XXX ± .010 TOLERANCE PER ANSI-Y14.5 .XX ± .025 (UNLESS OTHERWISE STATED) ANGLES ± 0°,30' FRACT. ± 1/32</p>		DWG NO	SCALE	SHEET	DATE	
			CMHD0505-CUST	1:2	1 OF 1	05-31-11	
		CODE IDENT NO.	DWG BY	CHK BY	QA	MFG	R&D
		8Z410	05-31-11		RD	LD	BJ
					05-31-11	05-31-11	05-31-11