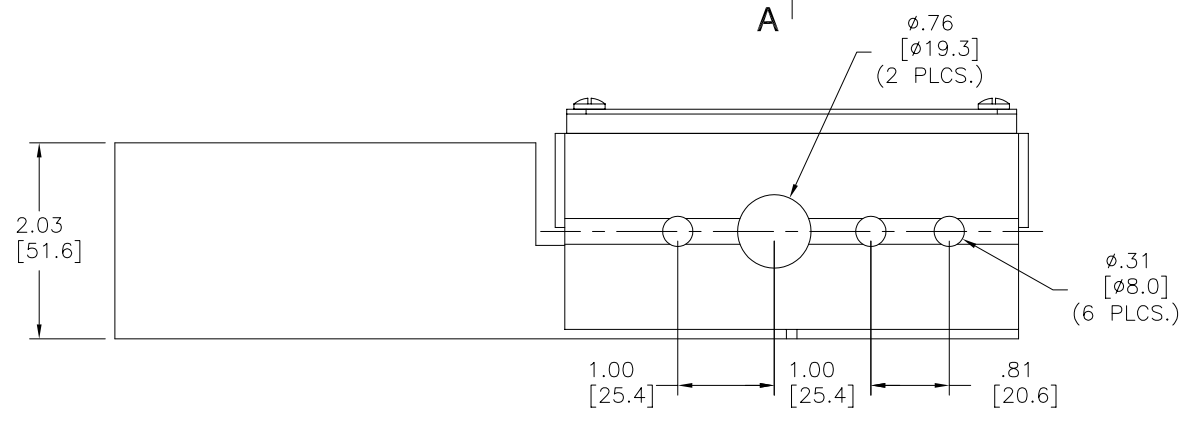
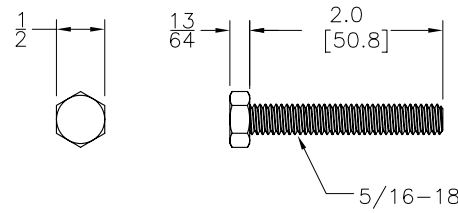
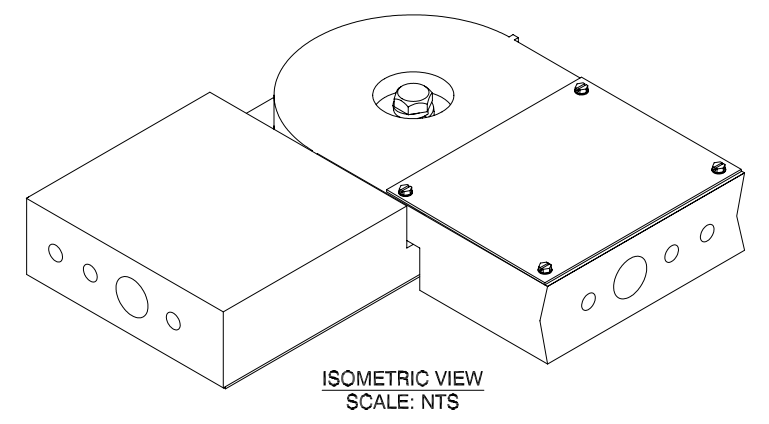
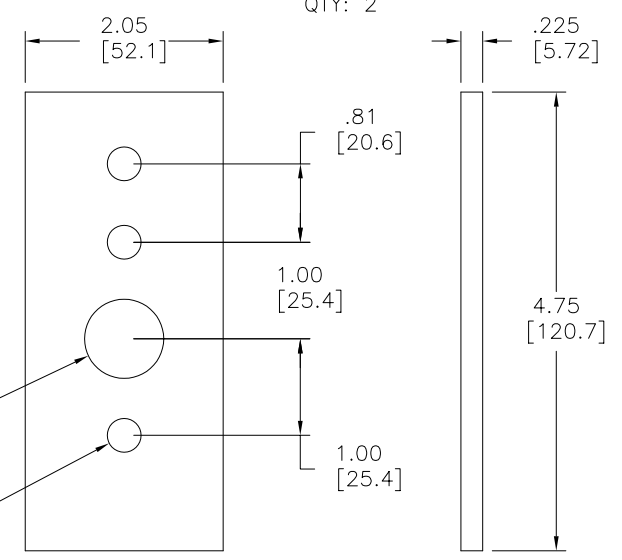


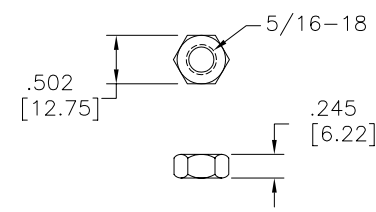
HEX HEAD CAP SCREW
QTY: 5



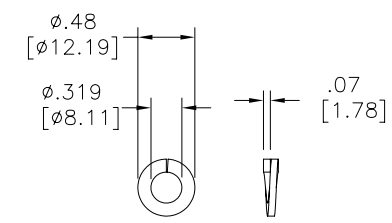
RUBBER GASKET
QTY: 2



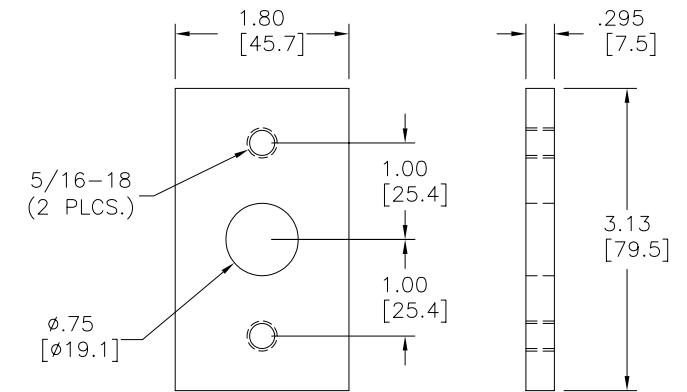
NUT
QTY: 3



SPLIT LOCK WASHER
QTY: 5



METAL GASKET
QTY: 1



REVISION NOTIFICATION	
<input type="checkbox"/>	PMA
<input type="checkbox"/>	UL/ETL
<input type="checkbox"/>	MADE IN USA
<input type="checkbox"/>	CUSTOMER _____
<input type="checkbox"/>	OTHER _____



 23105 KASHIWA COURT TORRANCE, CA 90505		-PROPRIETARY- This document contains Proprietary information of LEDTRONICS, INC. It may not be copied, used or disclosed for any purpose without the prior express written consent of LEDTRONICS, INC.		TITLE SLB003-FLAM-001					
		.XXX ± .010 TOLERANCE PER ANSI-Y14.5 .XX ± .025 (UNLESS OTHERWISE STATED) ANGLES ± 0°.30' FRACT. ± 1/32	DWG NO CMHD0547-CUST	SCALE 1:2	SHEET 1 OF 1	DATE 10-28-11	CODE IDENT NO. 8Z410	DWG BY GP	CHK BY QA