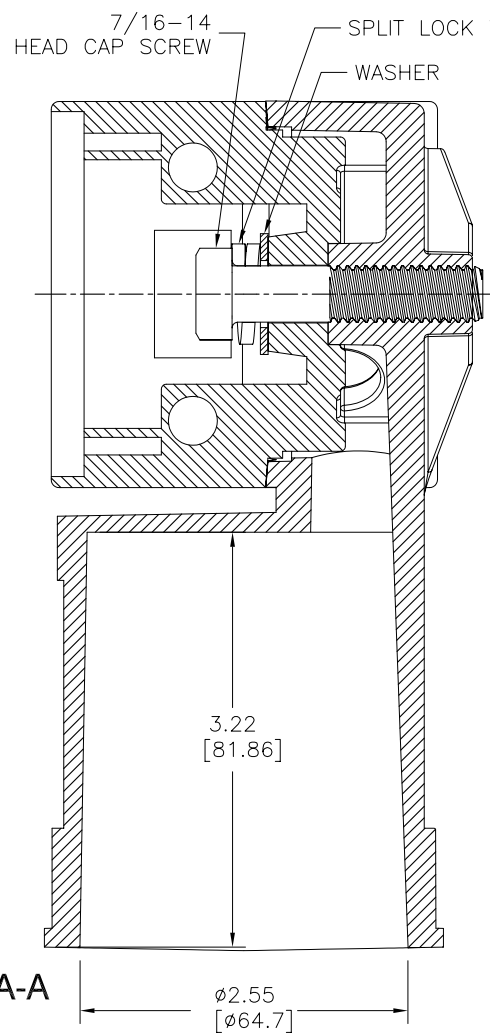
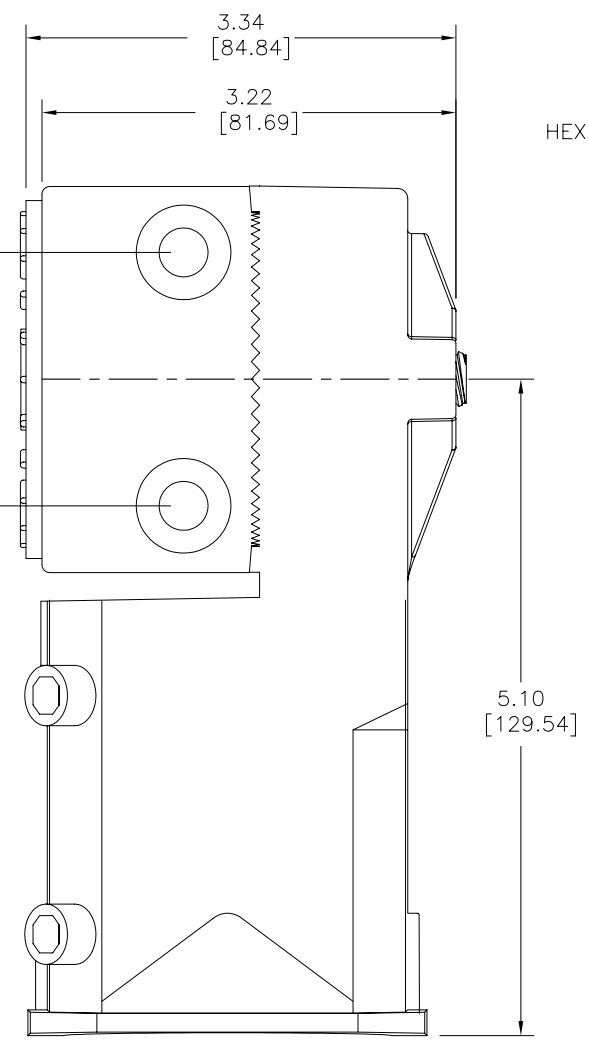
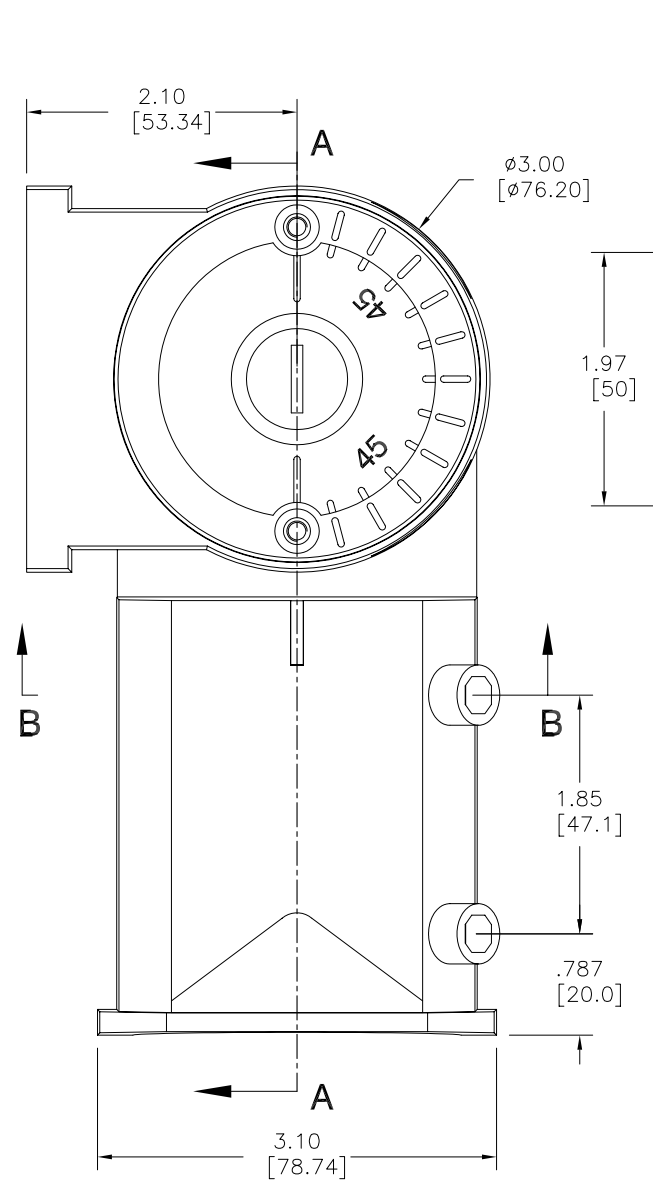
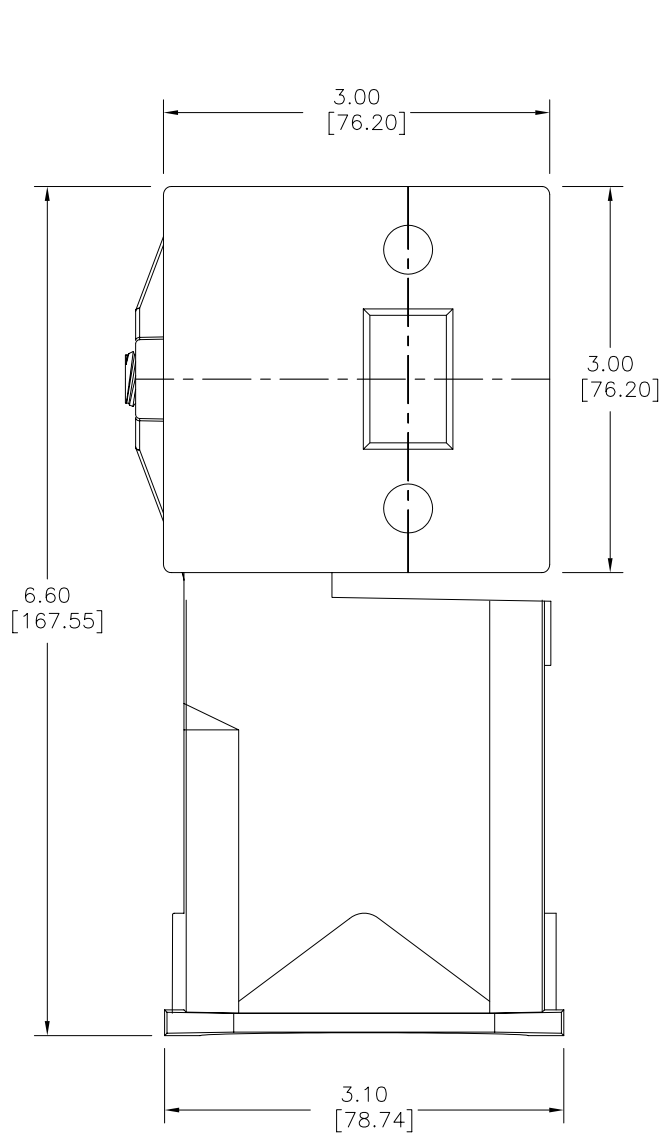
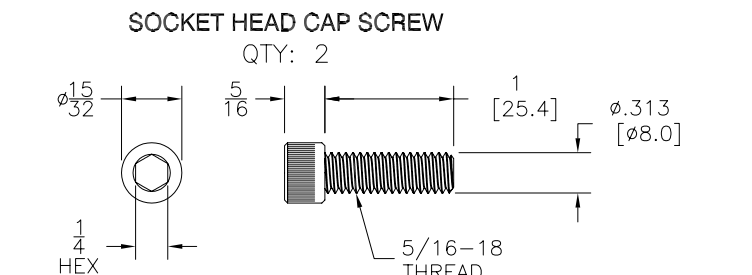
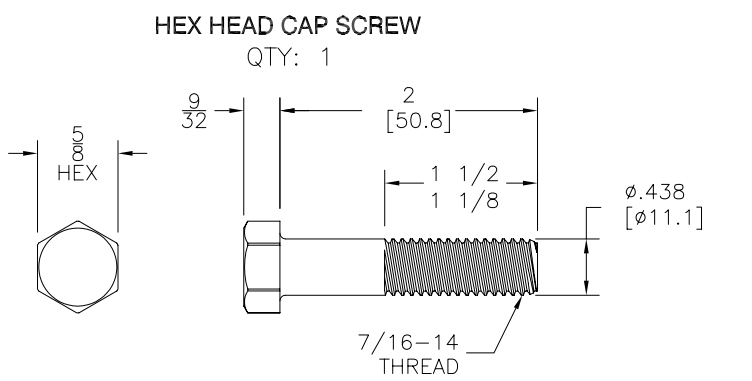
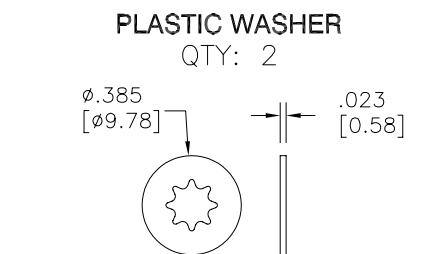
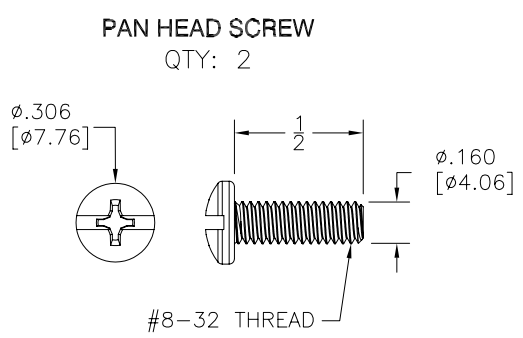
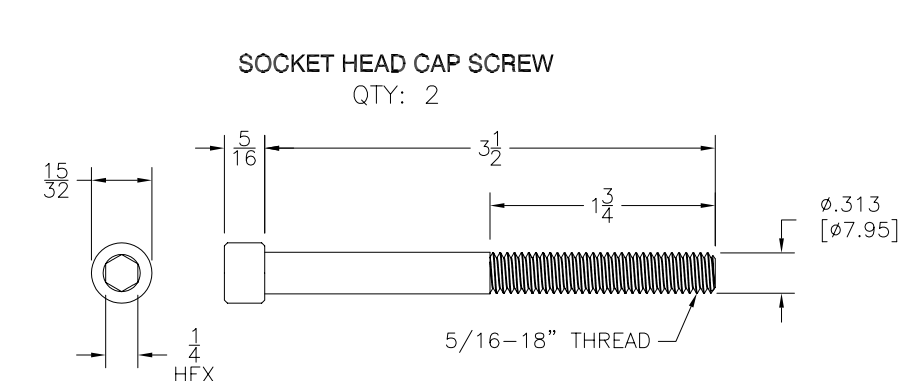
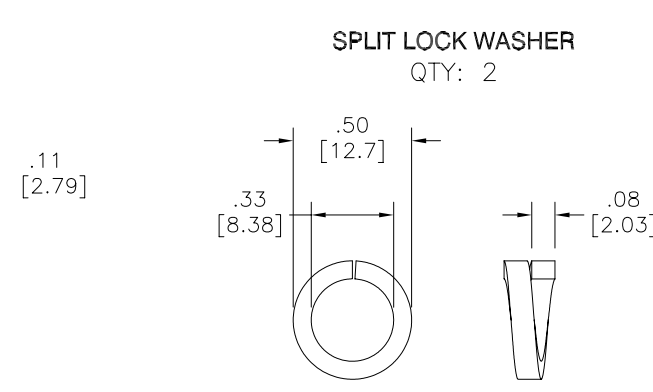
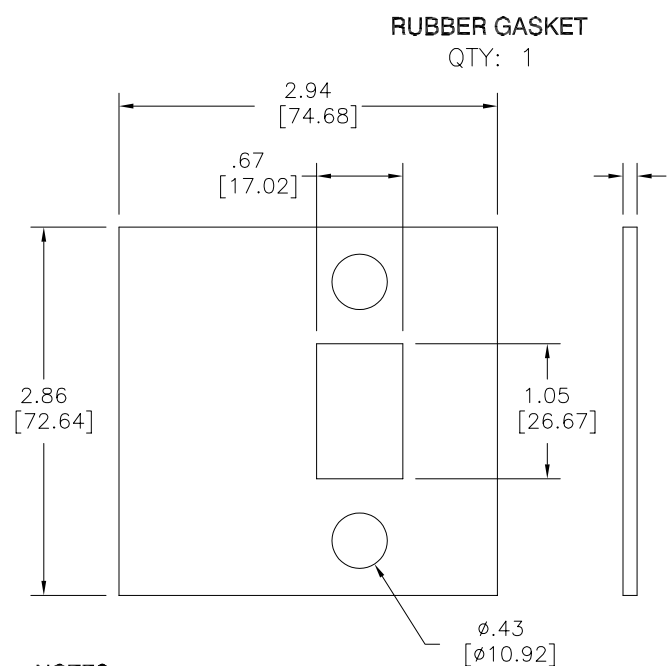
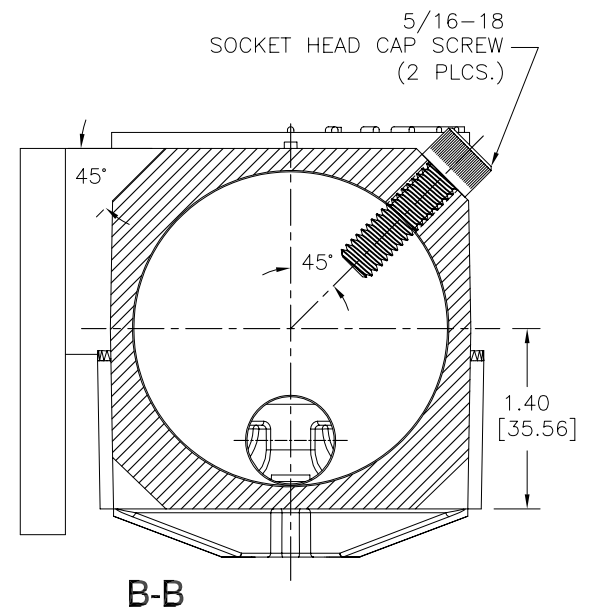


LTR	REVISION	DATE	APPD
-	RELEASED	03-14-12	



BRACKET
 QTY: 1
 MATERIAL: DIE-CAST
 FINISH: TEXTURED-BRONZE



NOTES:
 1. ALL DIMENSIONS ARE IN INCHES [MILLIMETERS].
 2. STAINLESS STEEL HARDWARE.

LED
LEDTRONICS,™ INC.
 23105 KASHIWA COURT
 TORRANCE, CA 90505

-PROPRIETARY-
 This document contains Proprietary Information of LEDTRONICS,™ INC. It may not be copied, used or disclosed for any purpose without the prior express written consent of LEDTRONICS,™ INC.

.XXX ± .010 TOLERANCE PER ANSI-Y14.5
 .XX ± .025 (UNLESS OTHERWISE STATED)
 ANGLES ± 0°.30'
 FRACT. ± 1/32

TITLE SLB003-FL73SFX-001			
DWG NO CMHD0494-CUST	SCALE NTS	SHEET 1 OF 1	DATE 03-14-12
CODE IDENT NO. 8Z410	DWG BY GP 03-14-12	CHK BY QA 03-15-12	MFG LD 03-14-12
		R&D BJ 03-14-12	