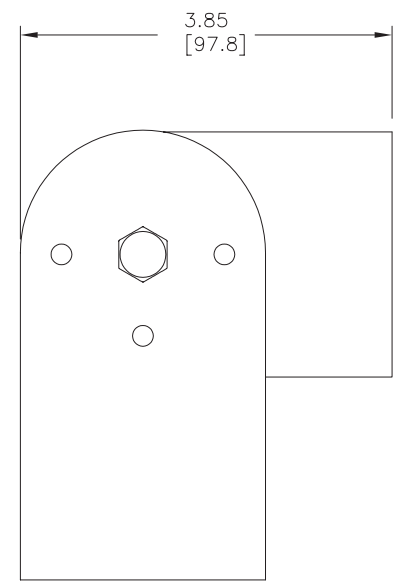
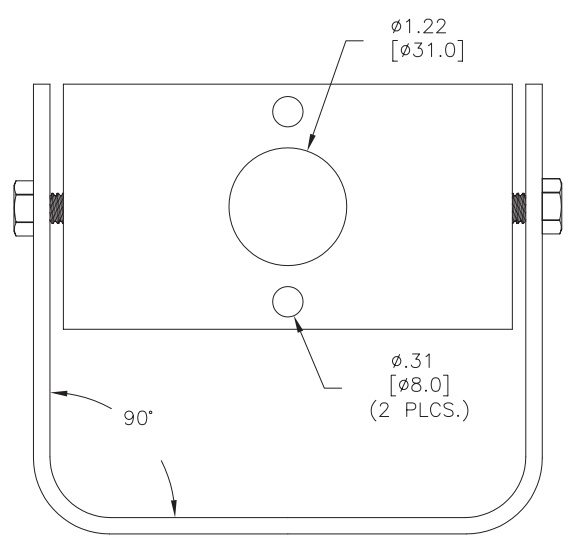


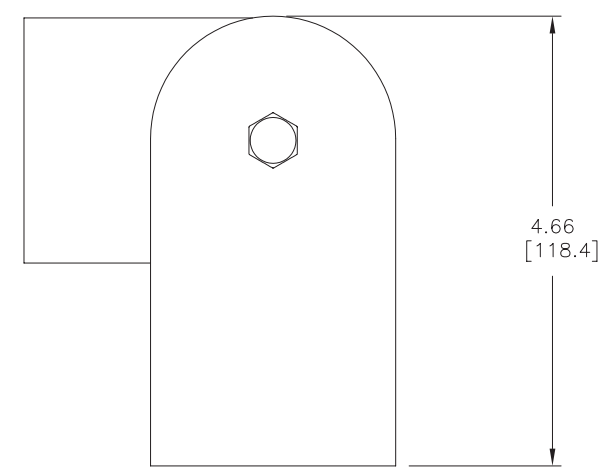
LTR	REVISION	DATE	APPD
-	RELEASED	01-12-12	



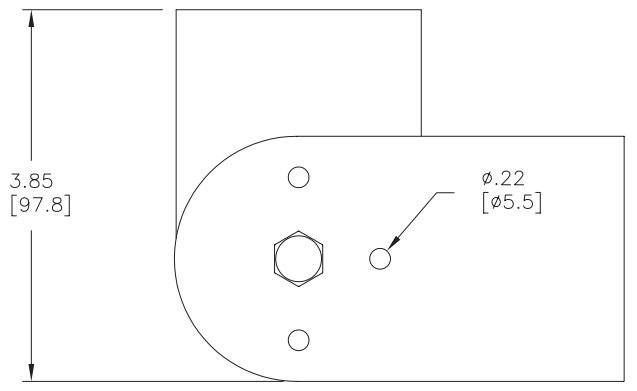
L. SIDE VIEW



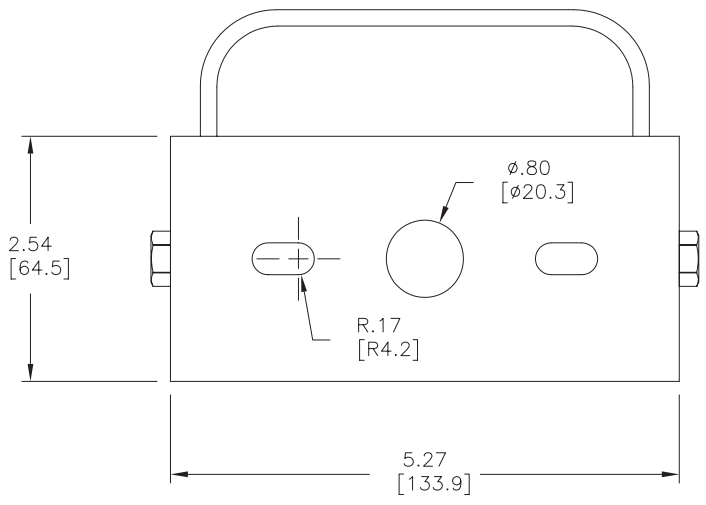
TOP VIEW



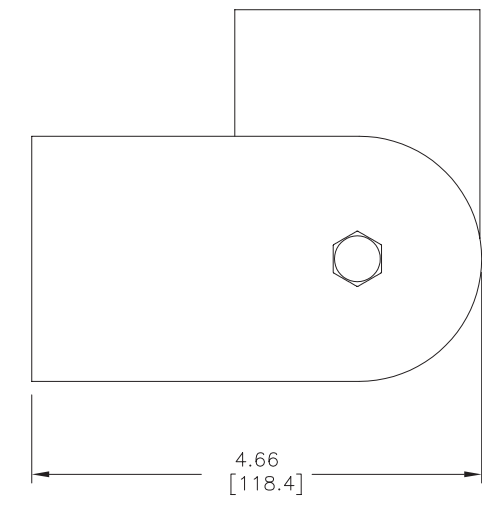
R. SIDE VIEW



L. SIDE VIEW

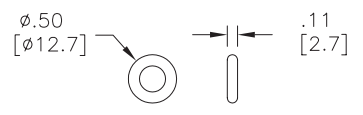


FRONT VIEW

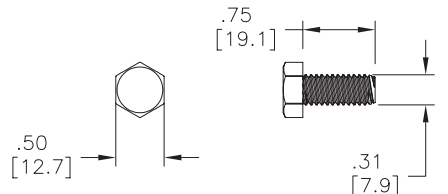


R. SIDE VIEW

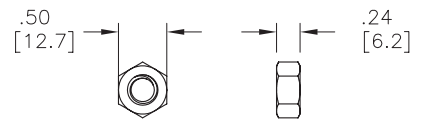
5/16 O-RING
QTY: 2



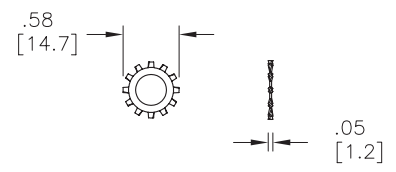
5/16 X 3/4" SCREW
QTY: 2



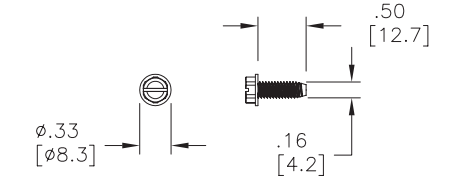
5/16 NUT
QTY: 2



LOCK WASHER
QTY: 2



8-32 SELF TAPPING SCREW
QTY: 1



RoHS
COMPLIANT
2002/95/EC

REVISION NOTIFICATION	
<input type="checkbox"/>	PMA
<input type="checkbox"/>	UL
<input type="checkbox"/>	MADE IN USA
<input type="checkbox"/>	CUSTOMER _____
<input type="checkbox"/>	OTHER

- NOTES:**
1. ALL DIMS ARE IN INCHES [MILLIMETERS].
 2. MUST USE STAINLESS STEEL HARDWARE
 3. (BRACKET) FINISH: BRONZE
 4. (BRACKET) MATERIAL: H.R.S

 LEDTRONICS, INC. 23105 KASHIWA COURT TORRANCE, CA 90505	-PROPRIETARY- This document contains Proprietary Information of LEDTRONICS, INC. It may not be copied, used or disclosed for any purpose without the prior express written consent of LEDTRONICS, INC.		TITLE SLB003-FL73BR-001			
	DWG NO CMHD0563	SCALE 1:2	SHEET 1 OF 1	DATE 12-06-11		
	CODE IDENT NO. 8Z410	DWG BY MM 12-06-11	CHK BY	QA RD 01-16-12	MFG LD 01-13-12	R&D BJ 01-13-12

