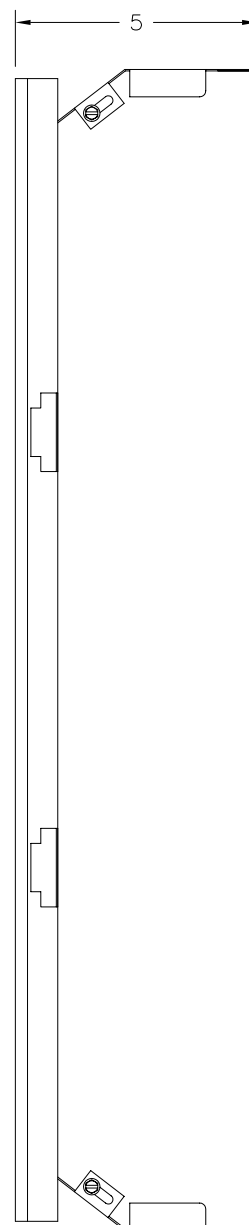
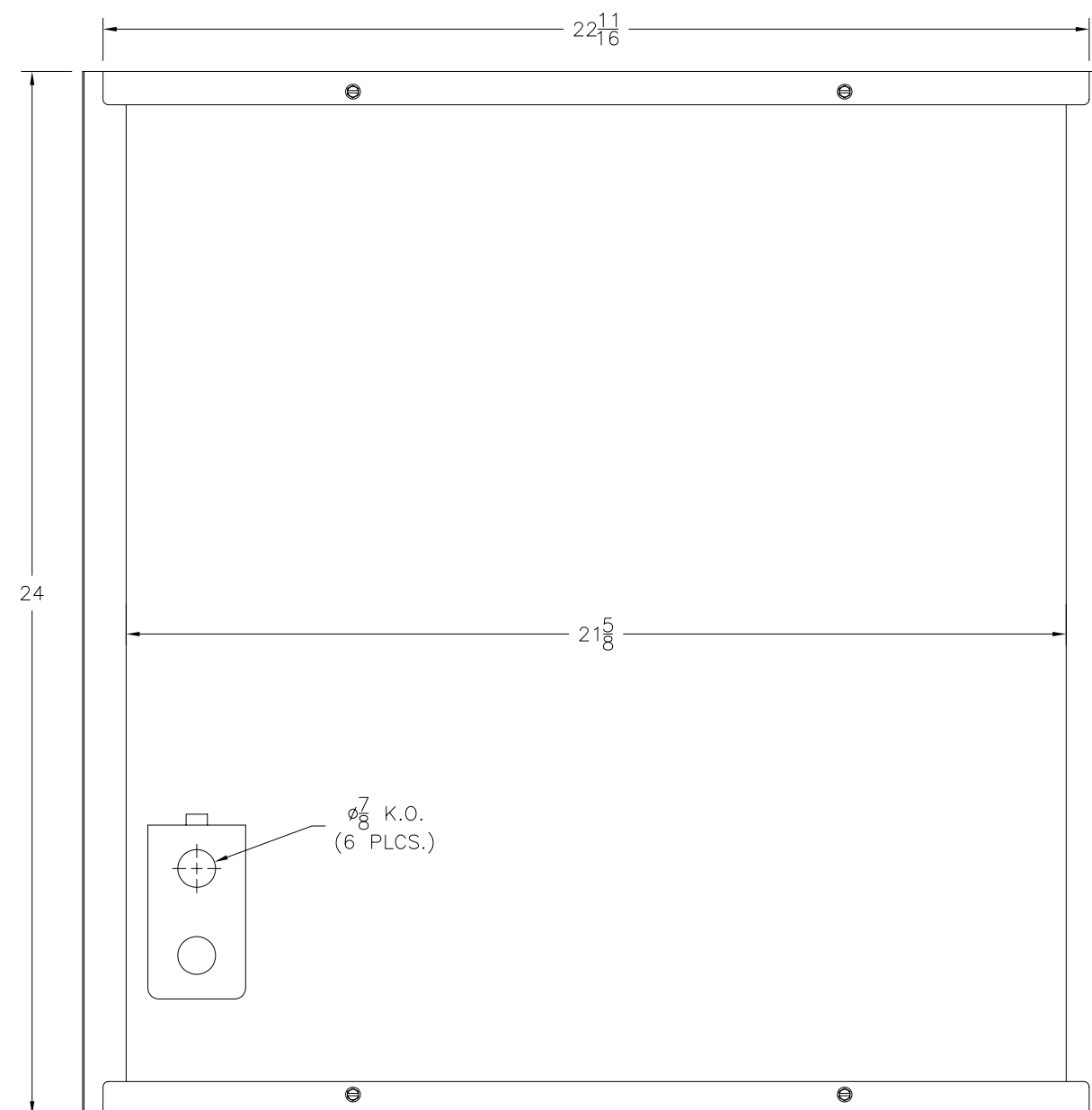


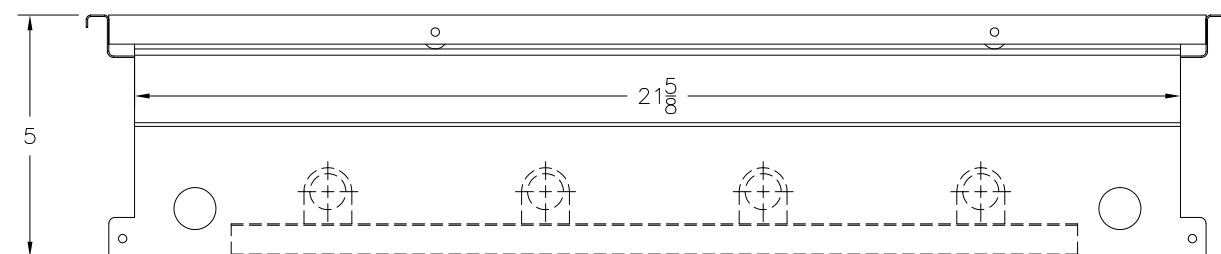
TOP VIEW



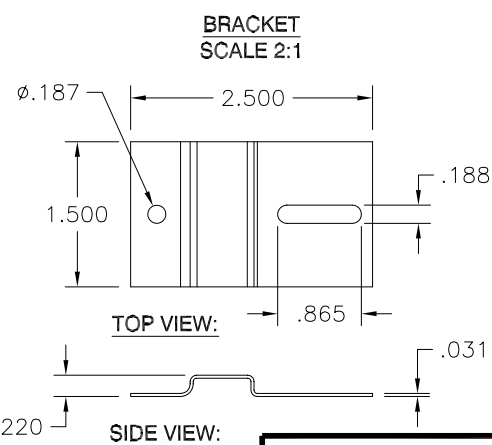
SIDE VIEW



REAR VIEW

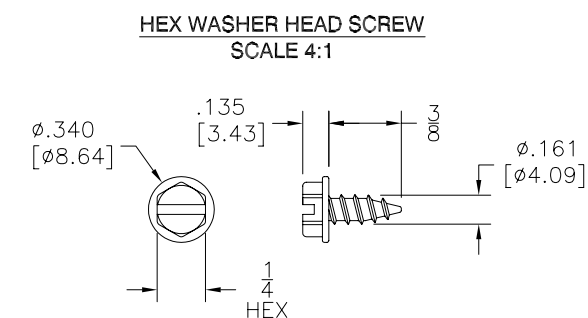


FRONT VIEW



TOP VIEW:

SIDE VIEW:



HEX WASHER HEAD SCREW
SCALE 4:1



REVISION NOTIFICATION	
<input type="checkbox"/>	PMA
<input type="checkbox"/>	UL
<input type="checkbox"/>	MADE IN USA
<input type="checkbox"/>	CUSTOMER _____
<input type="checkbox"/>	OTHER _____

HOUSING SPECIFICATIONS:

1. MATERIAL: 22 GAUGE SHEET METAL
2. COLOR: WHITE

LENS SPECIFICATIONS:

1. MATERIAL: PRISMATIC ACRYLIC STANDARD
2. COLOR: CLEAR

KIT INCLUDES:

- (4) BRACKETS
- (4) HEX WASHER HEAD SCREWS

LED[®]
LEDTRONICS,™ INC.
23105 KASHIWA COURT
TORRANCE, CA 90505

-PROPRIETARY-
This document contains Proprietary information of LEDTRONICS, INC. It may not be copied, used or disclosed for any purpose without the prior express written consent of LEDTRONICS, INC.

.XXX ± .010 TOLERANCE PER ANSI-Y14.5
.XX ± .025 (UNLESS OTHERWISE STATED)
ANGLES ± 0°,30'
FRACT. ± 1/32

TITLE LEDGHL320-4-2LR			
DWG NO CMHD0483-CUST	SCALE 1:4	SHEET 1 OF 1	DATE 03-03-11
CODE IDENT NO. 8Z410	DWG BY GP 03-03-11	CHK BY	QA RD 08-20-12
		MFG LD 08-17-12	R&D LUV 08-17-12