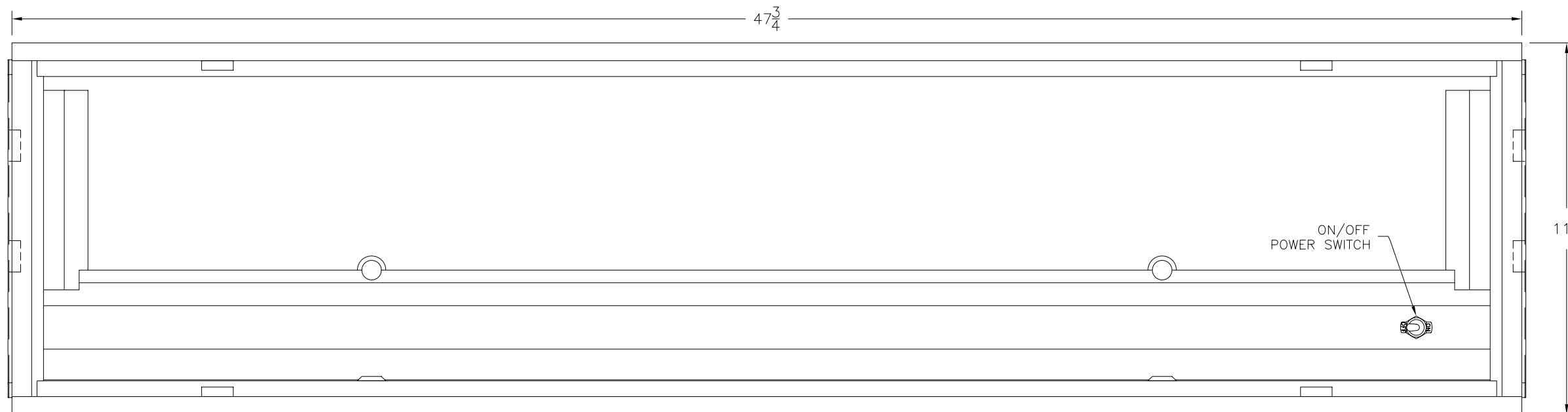
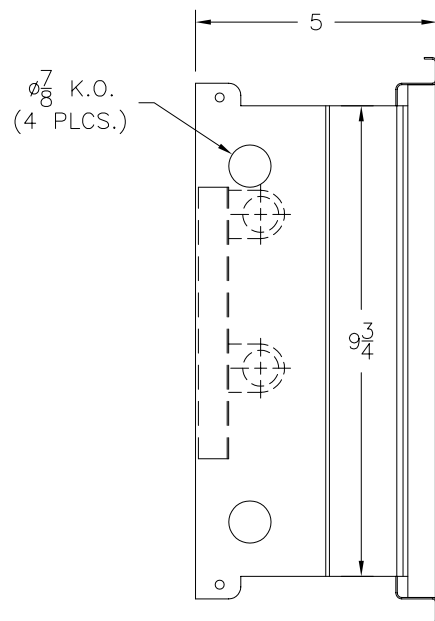


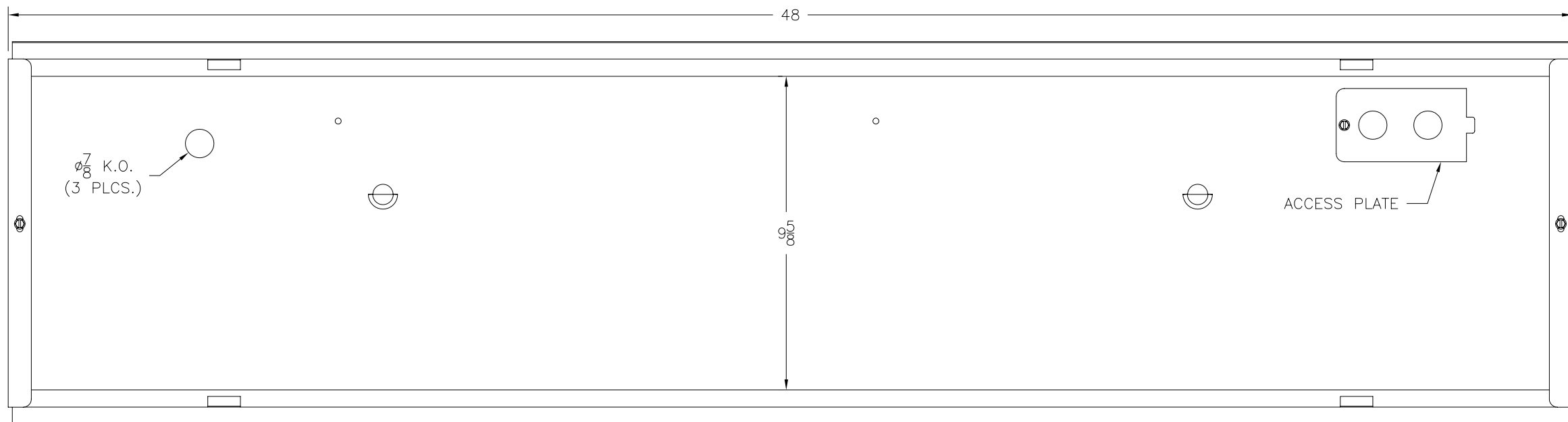
LTR	REVISION	DATE	APPD
A	082812-RTD01: CHANGED BRACKET & SCREW QTY.	08-29-12	GP



TOP VIEW
W/ OUT LENS



FRONT VIEW



BOTTOM VIEW



NOTES:

1. ETL FILE# 3195306
2. ALL DIMENSIONS ARE IN INCHES.
3. PACKING REQUIRED IN REVERSED CARTON.

LENS SPECIFICATIONS:

1. MATERIAL: CLEAR, PRISMATIC ACRYLIC STANDARD

HOUSING SPECIFICATIONS:

1. MATERIAL: 22 GA. COLD ROLLED STEEL HOUSING.
2. FINISH: BAKED WHITE POLYESTER FINISH, MINIMUM REFLECTANCE 86%

KIT INCLUDES:

- (4) METAL BRACKETS
- (4) HEX WASHER HEAD SCREWS

REVISION NOTIFICATION
<input type="checkbox"/> PMA
<input checked="" type="checkbox"/> UL/ETL
<input type="checkbox"/> MADE IN USA
<input type="checkbox"/> CUSTOMER _____
<input type="checkbox"/> OTHER

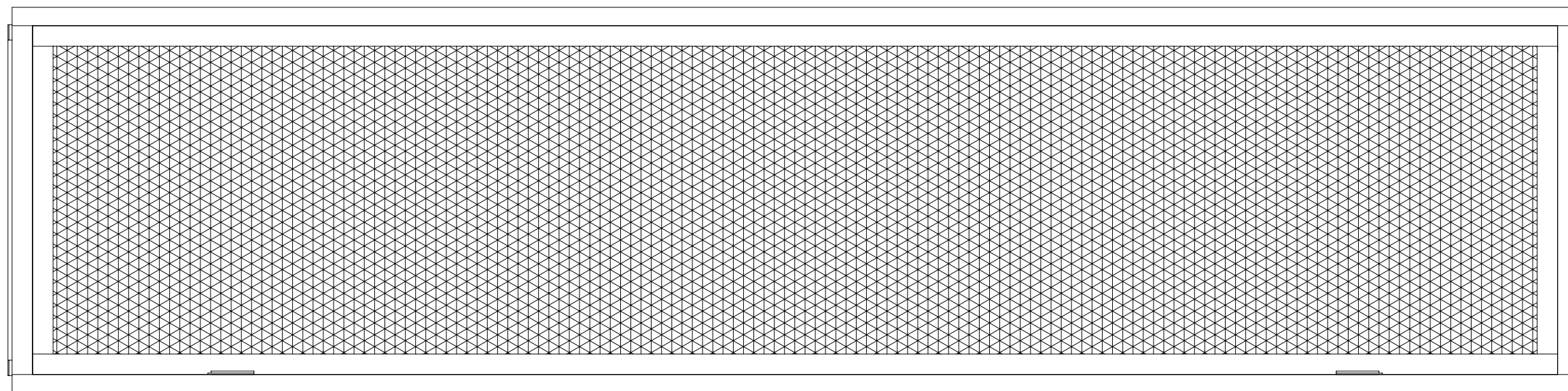
LED[®]
LEDTRONICS,™ INC.
 23105 KASHIWA COURT
 TORRANCE, CA 90505

-PROPRIETARY-
 This document contains Proprietary information of LEDTRONICS,™ INC. It may not be copied, used or disclosed for any purpose without the prior express written consent of LEDTRONICS,™ INC.

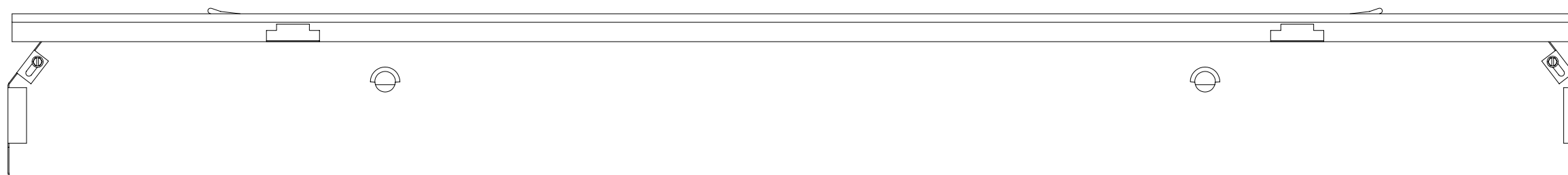
.XXX ± .010 TOLERANCE PER ANSI-Y14.5
 .XX ± .025 (UNLESS OTHERWISE STATED)
 ANGLES ± 0°.30'
 FRACT. ± 1/32

TITLE			
LEDGHL310-2-4LR			
DWG NO	SCALE	SHEET	DATE
CMHD0599-CUST	1:4	1 OF 2	04-16-12
CODE IDENT NO.	DWG BY	CHK BY	QA
8Z410	GP	04-16-12	RD
			08-31-12
			MFG
			LD
			08-30-12
			R&D
			BJ
			08-29-12

LTR	REVISION	DATE	APPD
A	082812-RTD01: CHANGED BRACKET & SCREW QTY.	08-29-12	GP

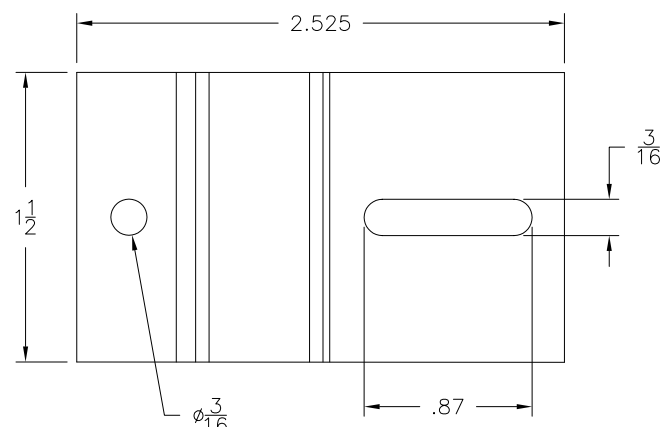


TOP VIEW
W/ LENS



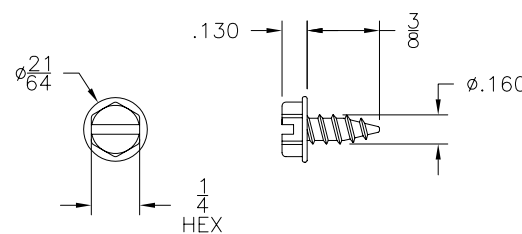
FRONT VIEW

METAL BRACKET
SCALE 1:1



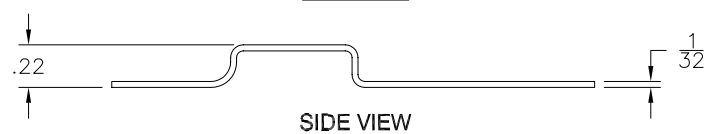
TOP VIEW

HEX WASHER HEAD SCREW
SCALE 1:1



TOP VIEW

SIDE VIEW



SIDE VIEW

NOTES:

1. ETL FILE# 3195306
2. ALL DIMENSIONS ARE IN INCHES.
3. PACKING REQUIRED IN REVERSED CARTON.

LENS SPECIFICATIONS:

1. MATERIAL: CLEAR, PRISMATIC ACRYLIC STANDARD

HOUSING SPECIFICATIONS:

1. MATERIAL: 22 GA. COLD ROLLED STEEL HOUSING.
2. FINISH: BAKED WHITE POLYESTER FINISH, MINIMUM REFLECTANCE 86%

KIT INCLUDES:

- (4) METAL BRACKETS
- (4) HEX WASHER HEAD SCREWS



REVISION NOTIFICATION

- PMA
- UL/ETL
- MADE IN USA
- CUSTOMER _____
- OTHER _____

 LED TRONICS, INC. 23105 KASHIWA COURT TORRANCE, CA 90505		-PROPRIETARY- This document contains Proprietary Information of LEDTRONICS, INC. It may not be copied, used or disclosed for any purpose without the prior express written consent of LEDTRONICS, INC.		TITLE LEDGHL310-2-4LR			
		.XXX ± .010 .XX ± .025 ANGLES ± 0°.30' FRACT. ± 1/32	TOLERANCE PER ANSI-Y14.5 (UNLESS OTHERWISE STATED)		DWG NO CMHD0599-CUST-A	SCALE 1:4	SHEET 2 OF 2
		CODE IDENT NO. 8Z410	DWG BY GP 04-16-12	CHK BY QA 08-31-12	MFG LD 08-30-12	R&D BJ 08-29-12	