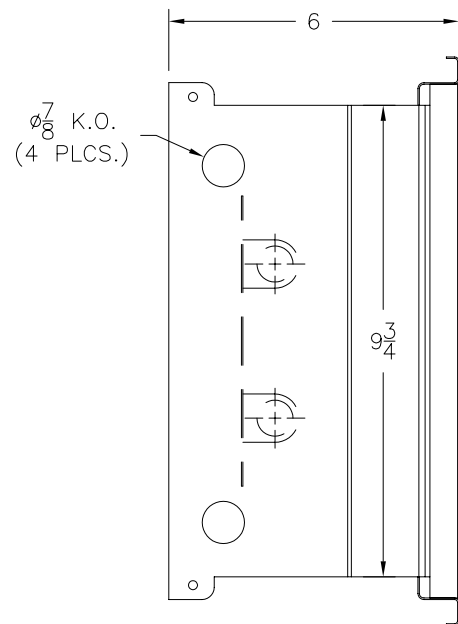
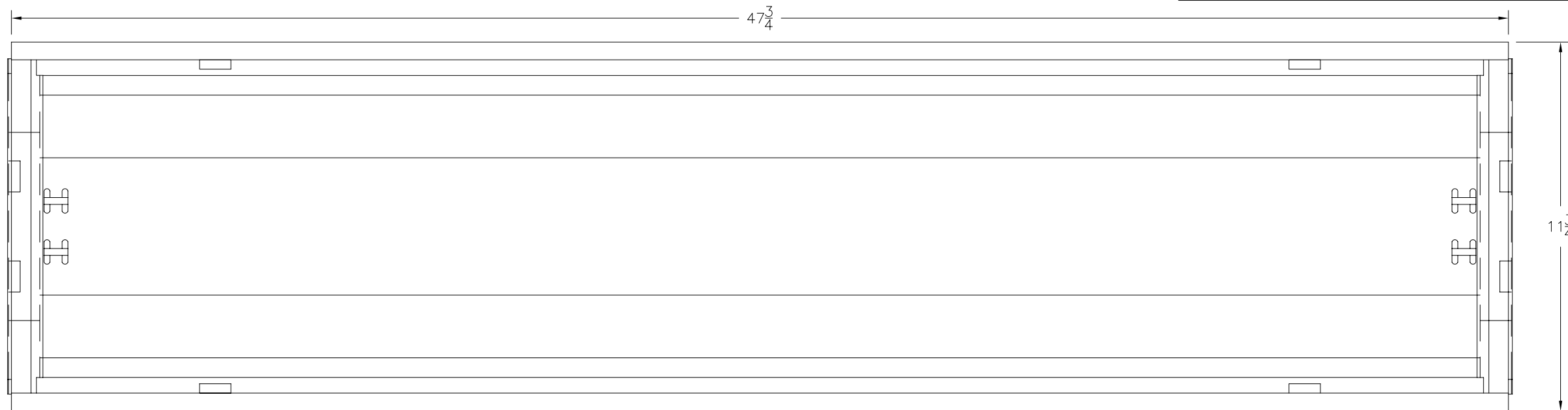


LTR	REVISION	DATE	APPD
-	RELEASED	02-12-13	



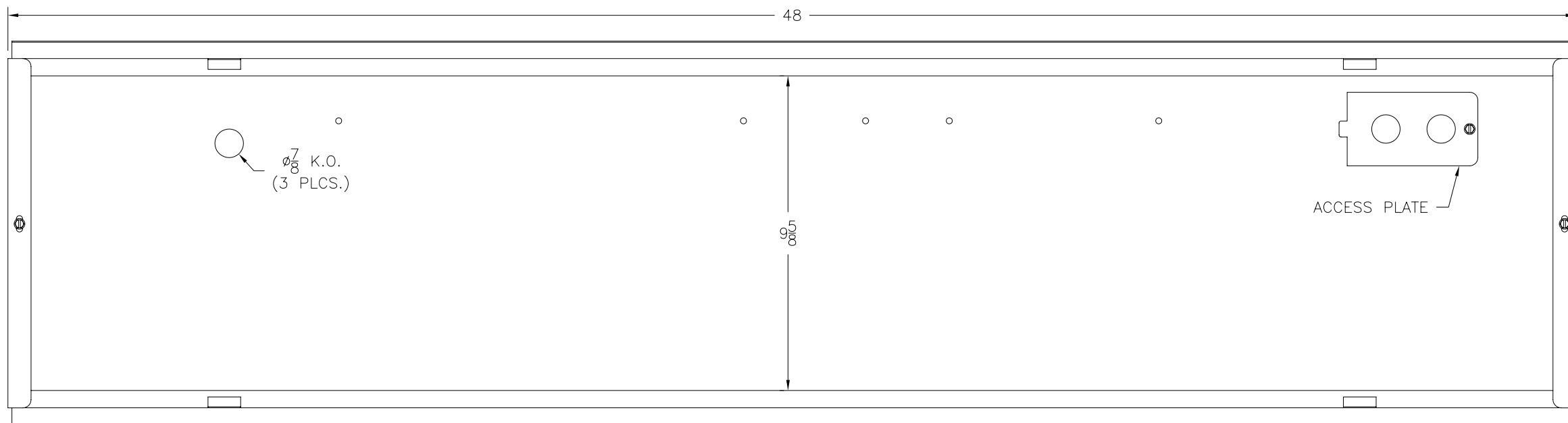
SIDE VIEW



TOP VIEW  
W/ OUT PARABOLIC LOUVER



FRONT VIEW



BOTTOM VIEW



NOTES:

1. ALL DIMENSIONS ARE IN INCHES.

PARABOLIC LOUVER SPECIFICATIONS:

1. MATERIAL: ALUMINUM
2. FINISH: SEMI-SPECULAR LOW IRIDESCENT SILVER FINISH

HOUSING SPECIFICATIONS:

1. MATERIAL: 22 GA. COLD ROLLED STEEL HOUSING.
2. FINISH: BAKED WHITE POLYESTER FINISH, MINIMUM REFLECTANCE 86%

REVISION NOTIFICATION
<input type="checkbox"/> PMA
<input checked="" type="checkbox"/> UL/ETL
<input type="checkbox"/> MADE IN USA
<input type="checkbox"/> CUSTOMER _____
<input type="checkbox"/> OTHER

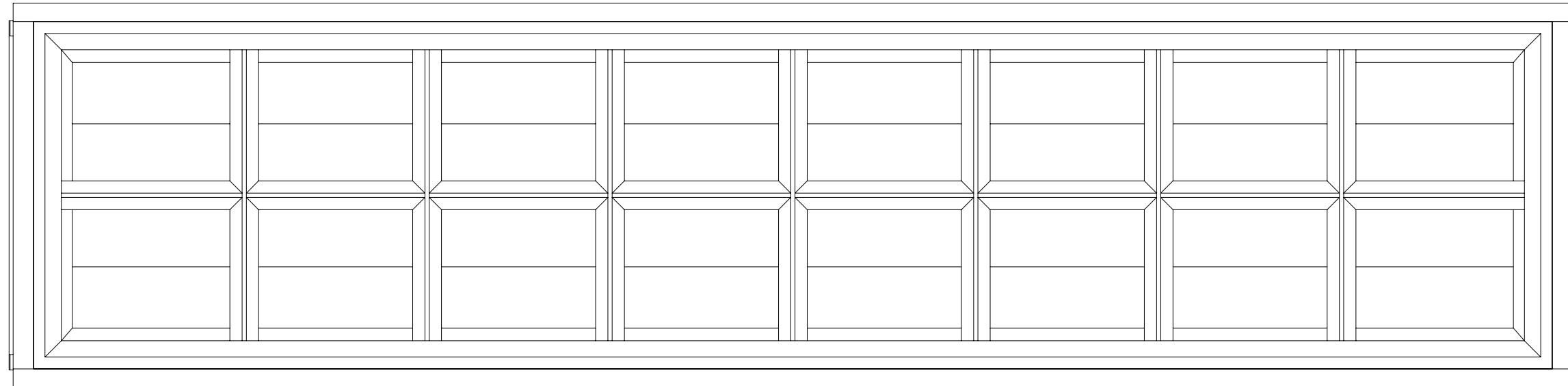
**LED**<sup>®</sup>  
LEDTRONICS,™ INC.  
23105 KASHIWA COURT  
TORRANCE, CA 90505

**-PROPRIETARY-**  
This document contains Proprietary information of LEDTRONICS, INC. It may not be copied, used or disclosed for any purpose without the prior express written consent of LEDTRONICS, INC.

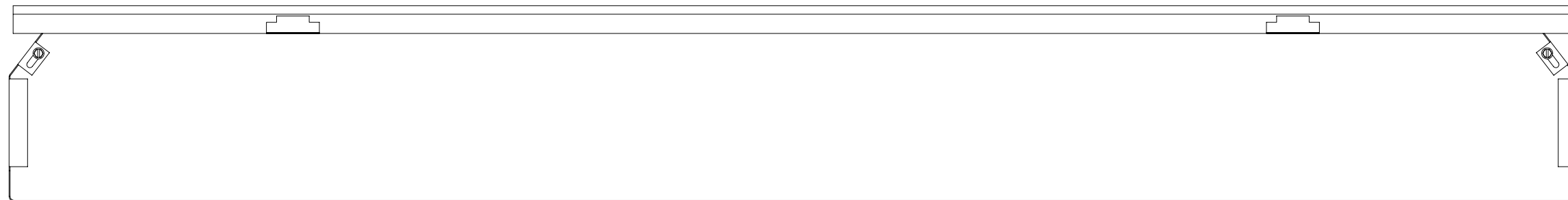
.XXX ± .010 TOLERANCE PER ANSI-Y14.5  
.XX ± .025 (UNLESS OTHERWISE STATED)  
ANGLES ± 0°,30'  
FRACT. ± 1/32

TITLE					
<b>LEDGPA510-2-4R-S16</b>					
DWG NO	SCALE	SHEET	DATE		
CMHD0676-CUST	1:4	1 OF 2	02-12-13		
CODE IDENT NO.	DWG BY	CHK BY	QA	MFG	R&D
8Z410	MM 02-12-13		RD 02-12-13	LD 02-12-13	BJ 02-12-13

LTR	REVISION	DATE	APPD
-	RELEASED	02-12-13	



TOP VIEW  
W/ PARABOLIC LOUVER



FRONT VIEW



REVISION NOTIFICATION	
<input type="checkbox"/>	PMA
<input checked="" type="checkbox"/>	UL/ETL
<input type="checkbox"/>	MADE IN USA
<input type="checkbox"/>	CUSTOMER _____
<input type="checkbox"/>	OTHER

 LEDTRONICS,™ INC. 23105 KASHIWA COURT TORRANCE, CA 90505	-PROPRIETARY- This document contains Proprietary information of LEDTRONICS,™ INC. It may not be copied, used or disclosed for any purpose without the prior express written consent of LEDTRONICS,™ INC. .XXX ± .010 TOLERANCE PER ANSI-Y14.5 .XX ± .025 (UNLESS OTHERWISE STATED) ANGLES ± 0°,30' FRACT. ± 1/32	TITLE <b>LEDGPA510-2-4R-S16</b>			
		DWG NO CMHD0676-CUST-A	SCALE 1:4	SHEET 2 OF 2	DATE 02-12-13
		CODE IDENT NO. 8Z410	DWG BY MM 02-12-13	CHK BY	QA RD 02-12-13