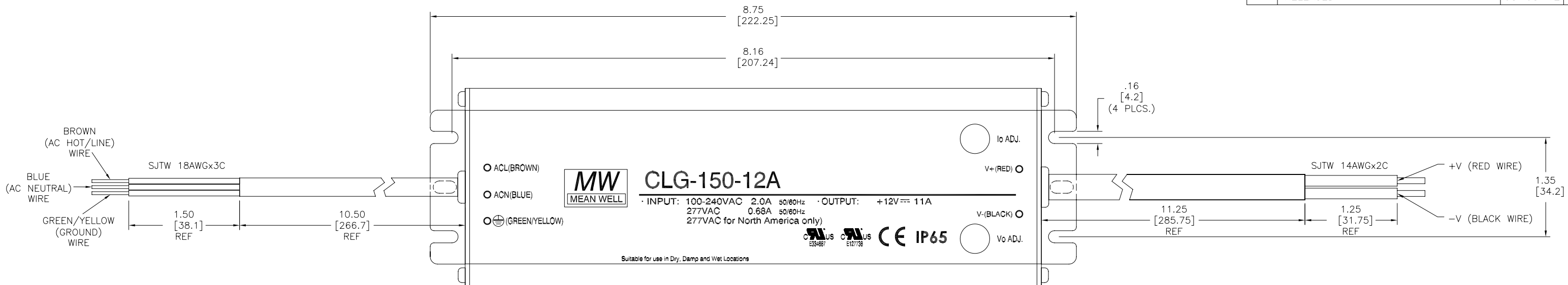
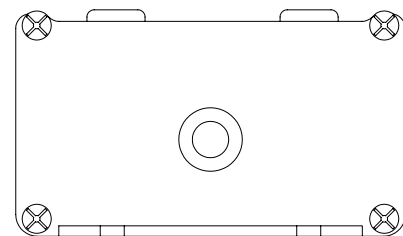


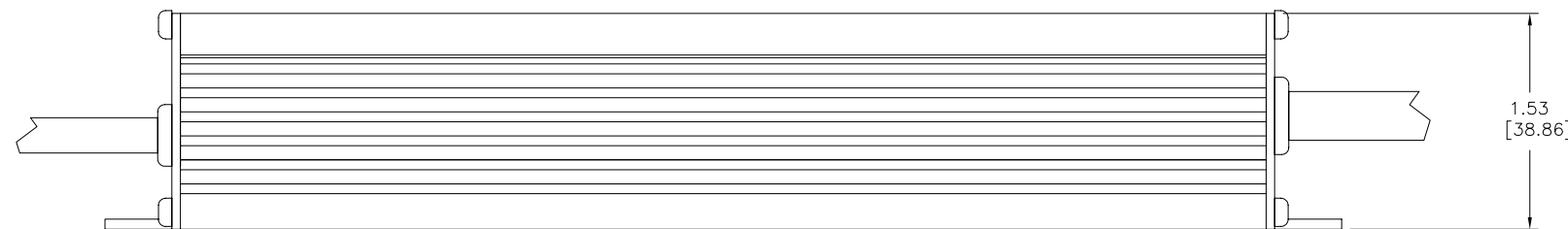
LTR	REVISION	DATE	APPD
-	RELEASED	08-08-12	



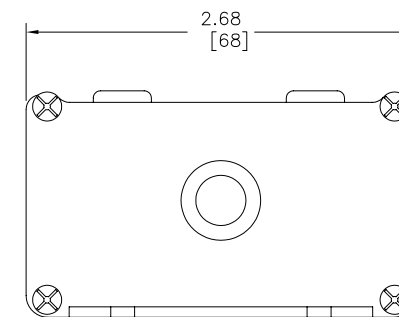
TOP VIEW



LEFT VIEW



FRONT VIEW



RIGHT VIEW

ELECTRICAL SPECIFICATIONS

- DC Output Voltage: 12VDC $\pm 10\%$
- DC Output Current: 0~11 A
- AC Input Voltage: 90~295 VAC
- AC Inrush Current (max.): Cold start, 65A at 230 VAC
- Current Adjustment Range: Can be adjusted by internal potentiometer or through output cable
- Overload Protection: 95%~108% constant current limiting, auto-recovery
- Over Voltage Protection: 13.5~16V
- Maximum Power: 132W
- Setup, Rise, Hold Up Time: 3000ms, 80ms, 50ms at full load and 230VAC
- Withstand Voltage: I/P-O/P: 3.75K VAC, I/P-FG: 1.88K VAC, O/P-FG: 0.5K VAC
- Working Temperature: -30~+70°C (refer to output derating curve)
- Safety Standards: UL60950-1, UL1012, TUV EN60950-1, EN61347-1, EN61347-2-13 approved
- EMC Standards: EN55015, EN55022 class B, EN61000-3-2 class C, EN61000-4-2,3,4,5,6,8,11, EN61547, EN55024
- IP RATING: IP65



REVISION NOTIFICATION	
<input type="checkbox"/>	PMA
<input type="checkbox"/>	UL
<input type="checkbox"/>	MADE IN USA
<input type="checkbox"/>	CUSTOMER _____
<input type="checkbox"/>	OTHER

 23105 KASHIWA COURT TORRANCE, CA 90505	-PROPRIETARY- This document contains Proprietary information of LEDTRONICS, INC. It may not be copied, used or disclosed for any purpose without the prior express written consent of LEDTRONICS, INC. .XXX \pm .010 TOLERANCE PER ANSI-Y14.5 .XX \pm .025 (UNLESS OTHERWISE STATED) ANGLES \pm 0°.30' FRACT. \pm 1/32	TITLE PWR-MW-CLG-150-12A			
		DWG NO CMMS0923	SCALE NTS	SHEET 1 OF 1	DATE 08-08-12
CODE IDENT NO. 8Z410	DWG BY GP 08-08-12	CHK BY	QA RD 08-10-12	MFG LD 08-09-12	R&D BJ 08-09-12