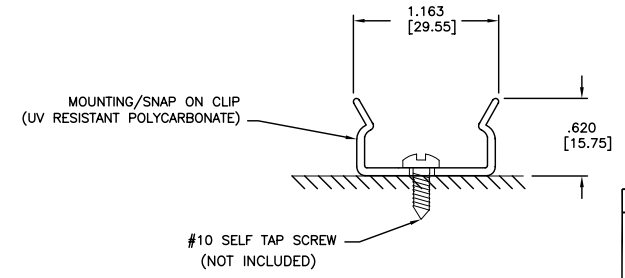
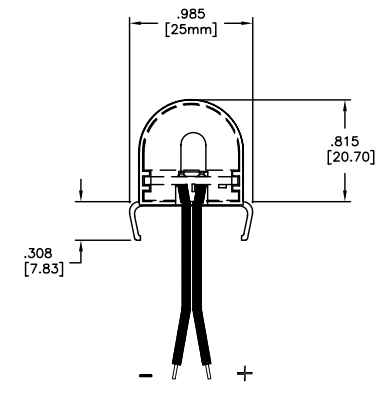
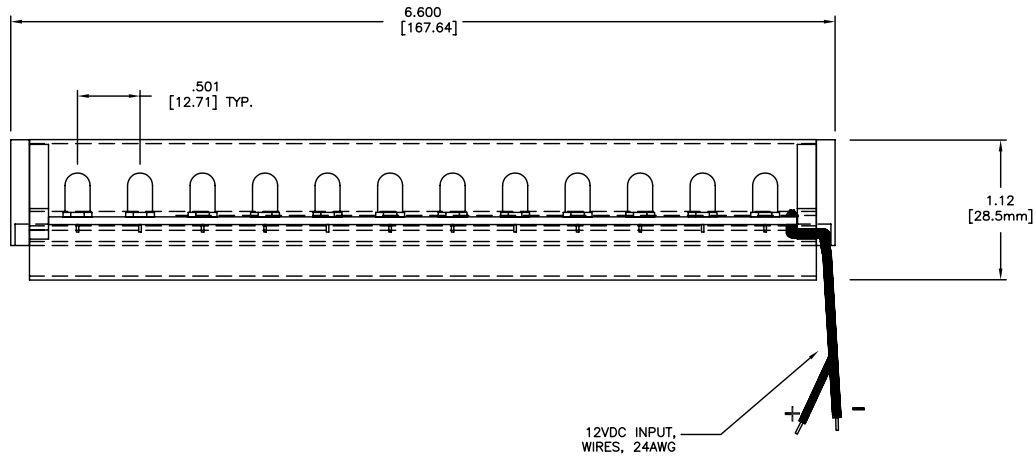
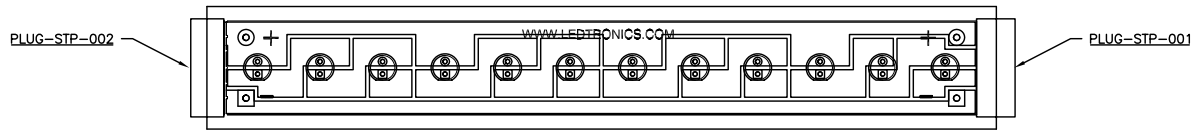


FORM 032405-1	LTR	REVISION	DATE	APPD
	1	PROTOTYPE	02-10-06	



FOR CONNECTING WIRES ON BOTH ENDS THE SAMPLE PART# IS TBL506C-XXX-012V (CLEAR)

- NOTE:
1. ENCLOSURE MATERIAL: CLEAR UV RESISTANT POLYCARBONATE.
  2. MOUNTING CLIP INCLUDED : 2 PER FOOT.
  3. MOUNTING SCREWS NOT INCLUDED : #10 SELF TAPPING WOOD SCREW RECOMMENDED.
  4. ENCLOSURE IS SEALED AND WATER RESISTANT.

REVISION NOTIFICATION	
<input type="checkbox"/>	PMA
<input type="checkbox"/>	UL
<input type="checkbox"/>	CUSTOMER _____
<input type="checkbox"/>	OTHER

TBL506-XCW-012V	WHITE	8000K	6.60" [167.60mm]	12VDC	0.06 A	0.72 W	15-20'			3S/4P
TBL506-2IW-012V	WARM WHITE	3000K	6.60" [167.60mm]	12VDC	0.06 A	0.72 W	15-20'			3S/4P
LEDTRONICS PART NO.	COLOR	TEMP.	"L" INCH & [mm]	VOLTAGE	Amps.	WATTS	VIEW ANGLE TYP.	LUMINOUS TOTAL	cd TOTAL	SR

**LED<sup>®</sup>**  
**LEDTRONICS,™ INC.**  
 23105 KASHIWA COURT  
 TORRANCE, CA 90505

PROPRIETARY-  
 This document contains Proprietary information of LEDTRONICS, INC. It may not be copied, used or disclosed for any purpose without the prior express written consent of LEDTRONICS, INC.  
 .300 ± .010 TOLERANCE PER ANSI-Y14.5  
 .XX ± .025 (UNLESS OTHERWISE STATED)  
 ANGLES ± 0.50'  
 FRACT. ± 1/32

TITLE TBL506-XXX-012V (CLEAR)			
DWG NO	SCALE	SHEET	DATE
TBL506001-CUST	1:1	1 OF 1	02-10-06
CODE IDENT NO.	DWG BY	CHK BY	QA
8Z410	AM/RM	PL	03-06-06
		MFG	CUSTOMER