

59230 Robust Lever Arm Sensor Features and Benefits



Features

- Sensor, magnet and vane contained in single housing
- Sensor operates when integral vane is depressed
- Choice of normally closed standard or normally closed high voltage contacts
- Choice of cable length and connector

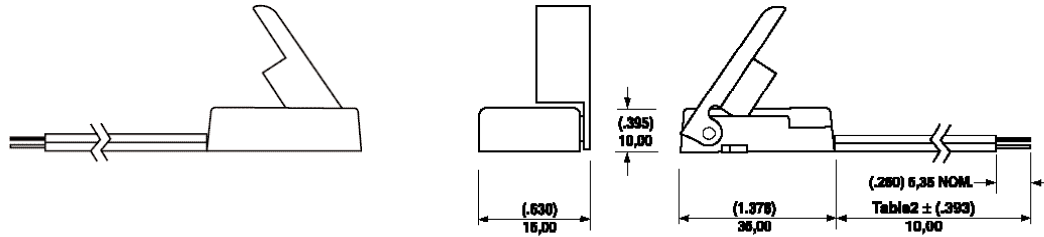
Benefits

- No standby power requirement
- Hermetically sealed, magnetically operated contacts continue to operate long after optical and other technologies fail due to contamination
- Simple installation and adjustment
- Single screw mounting

Applications

- Position and limit sensing
- Security system switch
- Door switch

DIMENSIONS (in) mm



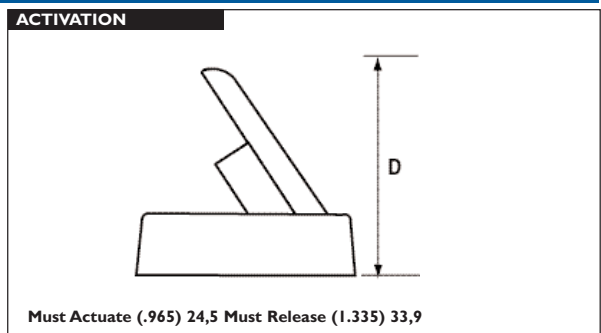
CUSTOMER OPTIONS - Switching Specifications

TABLE 1			Normally Closed	Normally Closed High Voltage
Contact Type			4	5
Switch Type				
Power	Watt - max.		10	10
	Vdc - max.		200	300
Voltage	Breakdown	Vdc - min.	250	450
	Switching	A - max.	0.5	0.5
Current	Carry	A - max.	1.2	1.5
	Contact, Initial	Ω - max.	0.2	0.2
Resistance	Insulation	Ω - min.	10 ¹⁰	10 ¹⁰
	Contact	pF - typ.	0.3	0.2
Capacitance	Operating	°C	-40 to +105	-20 to +105
	Storage	°C	-65 to +105	-65 to +105
Temperature	Operate	ms - max.	1.0	1.0
	Release	ms - max.	1.0	1.0
Shock	11ms 1/2 sine	G - max.	100	100
Vibration	50-2000 Hz	G - max.	30	30

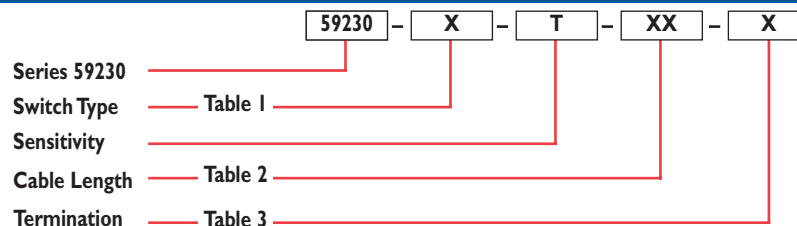
CUSTOMER OPTIONS - Cable Length and Termination Specification

TABLE 2	
Cable Type:- 14 AWG 10/30 PVC Fig 8	
Standard Lengths	
SELECT OPTION	CABLE LENGTH (in) mm
01	(3,94) 100
02	(11,81) 300
03	(19,69) 500
04	(29,53) 750
05	(39,37) 1000

TABLE 3		
Termination Options:-		
SELECT OPTION	DESCRIPTION	
A or F	Tinned or untinned leads	
C	6.35mm fastons	



ORDERING INFORMATION



Hamlin USA Tel: +1 920 648 3000 • Fax: +1 920 648 3001 • Email: sales.us@hamlin.com
 Hamlin UK Tel: +44 (0)1379 649700 • Fax: +44 (0)1379 649702 • Email: sales.uk@hamlin.com
 Hamlin Germany Tel: +49 (0) 6181 953660 • Fax: +49 (0) 6181 9536666 • Email: sales.de@hamlin.com
 Hamlectrol France Tel: +33 (0) 1 4687 0202 • Fax: +33 (0) 1 4686 6786 • Email: sales.fr@hamlin.com

DETAILS PROVIDED ON THIS DATA SHEET ARE PROVIDED FOR INFORMATION PURPOSES ONLY AND SHOULD NOT BE RELIED UPON AS BEING ACCURATE FOR ANY PARTICULAR PURPOSE. Product performance may be affected by the application to which the product is put. Upon request, HAMLIN will assist purchasers by providing information specific to any particular application. HAMLIN disclaims any and all liability whatsoever for any purchaser's reliance upon the information contained on this data sheet without further consultation with authorised representatives of HAMLIN.