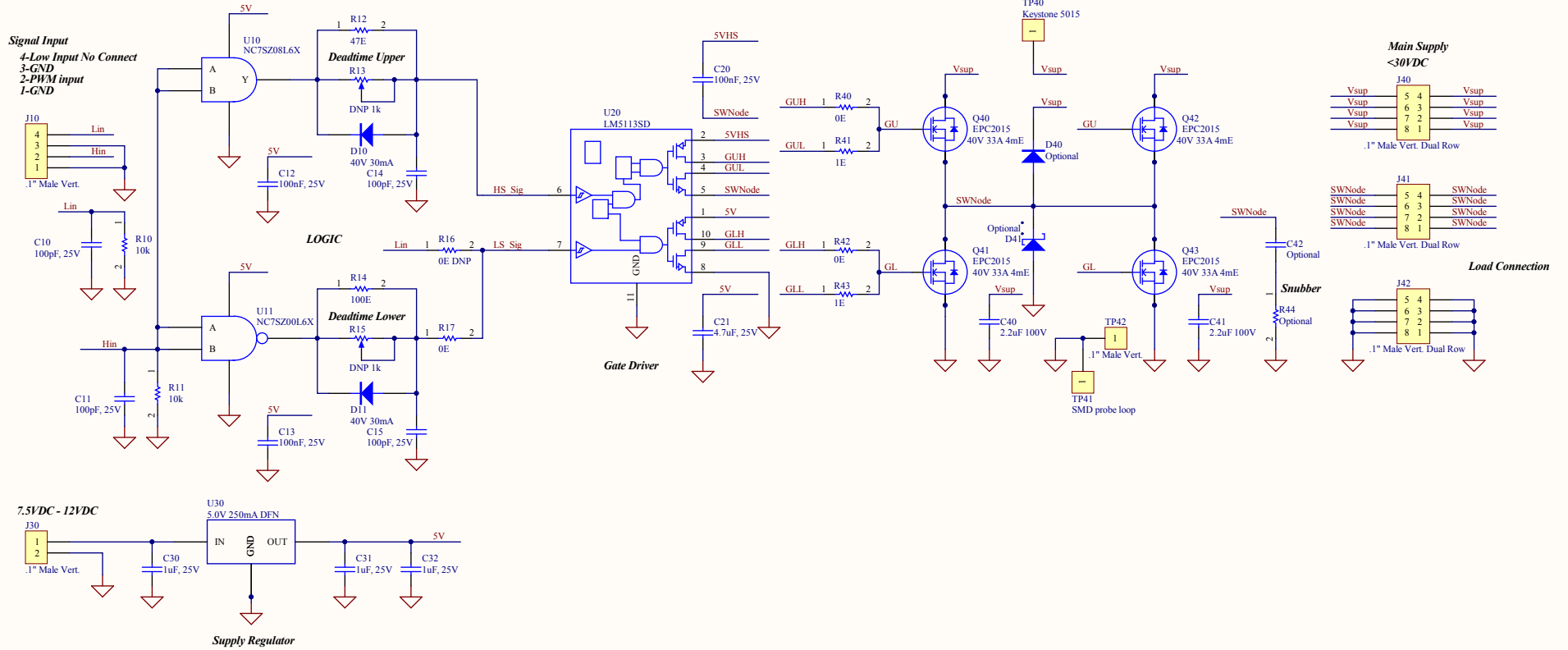


Signal Input
 4-Low Input No Connect
 3-GND
 2-PWM input
 1-GND



Title EPC9007 40V Dual Parallel Eval		Efficient Power Conversion 909 Sepulveda Blvd. Ste 230 El Segundo, CA 90245 U.S.A. www.epc-co.com	
Size: A	Revision: 1	Sheet 1 of 1	
Date: 4/12/2012	File: EPC9007.SchDot		

© Copyright EPC 2011

