

Model Number AC-60CDI.05UVTS AC60CDI.05ATBCV

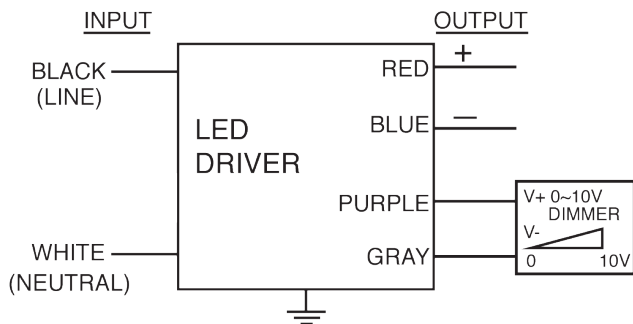
Type: Constant Current LED Driver
Input Voltage: 120-277V
Input Frequency: 50/60Hz

MULTI-CURRENT SWITCHING AND DIMMING

ELECTRICAL SPECIFICATIONS:

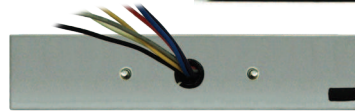
Output Power Max.	Input Power	Input Current	Minimum PF (full load)	Max. THD (full load)	Output Voltage	Output Current	T case Max.	Minimum Starting Temp.	Efficiency Up To	Dimming Protocol	Dimming Range
60W	72W @ 120V 71W @ 277V	0.6A @ 120V 0.26A @ 277V	>0.95	<20%	37-59V	1050mA±5%	90° C	-40° C	84%	0 to 10V	10 to 100%
40W	49W @ 120V 48W @ 277V	0.41A @ 120V 0.18A @ 277V	>0.95	<20%	37-59V	700mA±5%	90° C	-40° C	83%	0 to 10V	10 to 100%
29W	35W @ 120V 34W @ 277V	0.3A @ 120V 0.13A @ 277V	>0.95	<20%	37-59V	500mA±5%	90° C	-40° C	83%	0 to 10V	10 to 100%

WIRING:



Lead Lengths					
Black	5.9"	Blue	5.9"	Purple	5.9"
White	5.9"	Red	5.9"	Gray	5.9"

PHYSICAL:



Bottom Mount Option
Model Number:
AC60CDI.05ATBCV

Dimensions

Length	9.5"
Width	1.7"
Height	1.14"
Mounting Length	8.9"
Weight	1.33 lbs.
Case Qty.	30 pcs.

SAFETY & PERFORMANCE:

- UL and cUL Class 2
- UL Outdoor Type I
- Class A sound rating
- No PCBs
- IP66
- Open/Short Circuit Protection
- LED driver has a life expectancy of 50,000 hours at Tcase of ≤75°C
- LED driver has a life expectancy of 100,000 hours at Tcase of ≤65°C
- Warranty: 5 yrs based on max case temp of <75°C; 3 yrs based on max case temp of 90°C*
- Input/Output Isolation
- FCC Title 47 CFR Part 15
- Surge Protection (2 KV)

INSTALLATION:

- LED drivers shall be installed inside electrical enclosures
- 18 AWG 600V/105C tinned strand copper lead-wires are required to use in installation
- Max Remote installation distance is 18 ft
- LED driver cases should be grounded



*A.C.E. warrants to the purchaser that each LED Driver will be free from defects in material or workmanship for a period of 5 years when operated at max case temp of up to <75°C; 3 years from date of manufacture when operated at a max case temp of up to 90°C when properly installed and under normal conditions of use. See www.aceleds.com for complete warranty policy.

3401 Avenue D, Arlington, TX 76011 • 800-375-6355 • www.aceleds.com

Data is based upon tests performed by AC Electronics in a controlled environment and representative performance. Actual performance can vary depending on operating conditions. Specifications are subject to change without notice. All specifications are nominal unless otherwise noted.