

# PRELIMINARY SPEC



## Model Number AC-D54CI.5ARDM

Type: Constant Current LED Driver

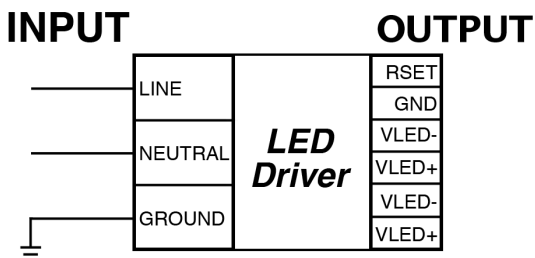
Input Voltage: 120-277V

Input Frequency: 50/60Hz

### ELECTRICAL SPECIFICATIONS:

Output Power Max	Input Power	Input Current	Minimum PF (full load)	Max. THD (full load)	Output Voltage	Output Current	T case Max.	Min. Starting Temp.	Efficiency Up To	IP Rating
54W	63W	0.53A @ 120V 0.23A @ 277V	>0.9	<20%	28-36V	1500mA±5%	90°C	-40°C	>86%	66

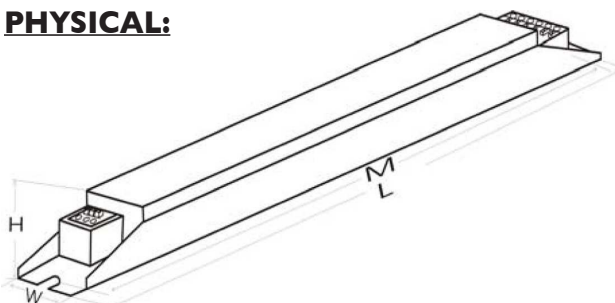
### WIRING:



### RSET TABLE

RSET ( $\Omega$ )	Iout (mA)	RSET ( $\Omega$ )	Iout (mA)
>4.7K	1500	2.1K	1000
4.7K	1500	1.8K	900
3.9K	1400	1.3K	730
3.3K	1300	1.0K	600
2.7K	1160		

### PHYSICAL:



### Dimensions

Length	12.4"
Width	1.3"
Height	1.1"
Mounting Length	11.8"
Weight	XX lbs.
Case Qty.	XX pcs.

### SAFETY & PERFORMANCE:

- Class A sound rating
- No PCBs
- Open/Short Circuit Protection
- LED driver has a life expectancy of 50,000 hours at Tcase of  $\leq 75^{\circ}\text{C}$
- LED driver has a life expectancy of 100,000 hours at Tcase of  $\leq 65^{\circ}\text{C}$
- Warranty: 5 yrs based on max case temp of  $< 75^{\circ}\text{C}$ ; 3 yrs based on max case temp of  $90^{\circ}\text{C}$ \*
- Input/Output Isolation
- FCC Title 47 CFR Part 15
- Surge Protection (2 KV)

### INSTALLATION:

- LED drivers shall be installed inside electrical enclosures
- 18 AWG 600V/105C tinned strand copper lead-wires are required to use in installation
- Max Remote installation distance is 18 ft
- LED driver cases should be grounded



\*A.C.E. warrants to the purchaser that each LED Driver will be free from defects in material or workmanship for a period of 5 years when operated at max case temp of up to  $< 75^{\circ}\text{C}$ ; 3 years from date of manufacture when operated at a max case temp of up to  $90^{\circ}\text{C}$  when properly installed and under normal conditions of use. See [www.aceleds.com](http://www.aceleds.com) for complete warranty policy.

3401 Avenue D, Arlington, TX 76011 • 800-375-6355 • [www.aceleds.com](http://www.aceleds.com)

Data is based upon tests performed by AC Electronics in a controlled environment and representative performance. Actual performance can vary depending on operating conditions. Specifications are subject to change without notice. All specifications are nominal unless otherwise noted.