



**Switch-Hitter™**

**Model Number  
AC-50CD1.05UVTS  
AC50CD1.05ATBCD**

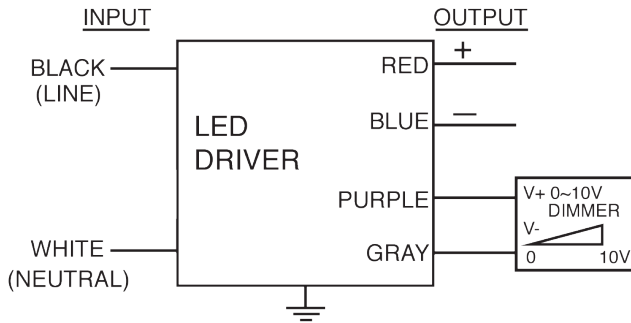
Type: Constant Current LED Driver  
Input Voltage: 120-277V  
Input Frequency: 50/60Hz

- ✓ **MULTI-CURRENT SWITCHING & DIMMING**
- ✓ **XICATO APPROVED**

**ELECTRICAL SPECIFICATIONS:**

Output Power Max.	Input Power	Input Current	Minimum PF (full load)	Max. THD (full load)	Output Voltage	Output Current	T case Max.	Minimum Starting Temp.	Efficiency Up To	Dimming Protocol	Dimming Range
50W	60W @ 120V 59W @ 277V	0.5A @ 120V 0.22A @ 277V	>0.95	<20%	33-48V	1050mA±5%	90° C	-40° C	83%	0 to 10V	10 to 100%
34W	42W @ 120V 41W @ 277V	0.35A @ 120V 0.15A @ 277V	>0.95	<20%	33-48V	700mA±5%	90° C	-40° C	82%	0 to 10V	10 to 100%
24W	30W @ 120V 29W @ 277V	0.25A @ 120V 0.11A @ 277V	>0.95	<20%	33-48V	500mA±5%	90° C	-40° C	82%	0 to 10V	10 to 100%

**WIRING:**



Lead Lengths					
Black	5.9"	Blue	5.9"	Purple	5.9"
White	5.9"	Red	5.9"	Gray	5.9"

**PHYSICAL:**

Side Mount  
Model Number:  
AC-50CD1.05UVTS

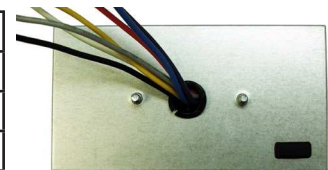


**Dimensions**

Length	6.50"	Mounting Length	5.90"
Width	2.90"	Weight	0.83 lbs.
Height	1.18"	Case Qty.	40 pcs.

Bottom Mount Option Model Number:  
AC50CD1.05ATBCD (No Side Mount Ears)

Length	5.31"
Width	2.90"
Height	1.18"
Length to Stud	2.00"



**SAFETY & PERFORMANCE:**

- UL Recognized
- UL Outdoor Type I
- Class A sound rating
- No PCBs
- IP66
- Open/Short Circuit Protection
- LED driver has a life expectancy of 50,000 hours at Tcase of ≤75°C
- LED driver has a life expectancy of 100,000 hours at Tcase of ≤65°C
- Warranty: 5 yrs based on max case temp of <75°C; 3 yrs based on max case temp of 90°C\*
- Input/Output Isolation
- FCC Title 47 CFR Part 15
- Surge Protection (2 KV)

**INSTALLATION:**

- LED drivers shall be installed inside electrical enclosures
- 18 AWG 600V/105C tinned strand copper lead-wires are required to use in installation
- Max Remote installation distance is 18 ft
- LED driver cases should be grounded



\*A.C.E. warrants to the purchaser that each LED Driver will be free from defects in material or workmanship for a period of 5 years when operated at max case temp of up to <75°C; 3 years from date of manufacture when operated at a max case temp of up to 90°C when properly installed and under normal conditions of use. See www.aceleds.com for complete warranty policy.

3401 Avenue D, Arlington, TX 76011 • 800-375-6355 • www.aceleds.com

Data is based upon tests performed by AC Electronics in a controlled environment and representative performance. Actual performance can vary depending on operating conditions. Specifications are subject to change without notice. All specifications are nominal unless otherwise noted.