

PRELIMINARY SPEC



Model Number AC-D40CI.IARDN

Type: Constant Current LED Driver

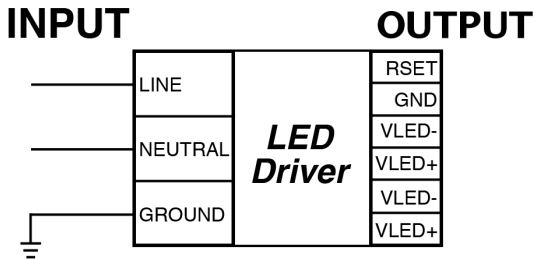
Input Voltage: 120-277V

Input Frequency: 50/60Hz

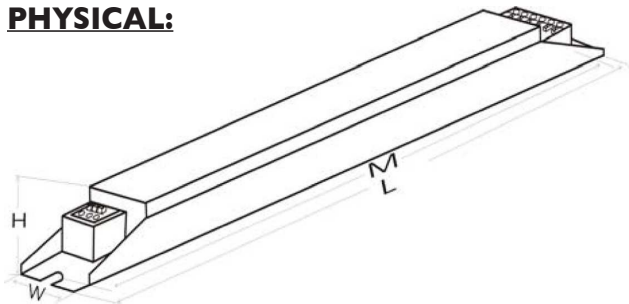
ELECTRICAL SPECIFICATIONS:

Output Power Max	Input Power	Input Current	Minimum PF (full load)	Max. THD (full load)	Output Voltage	Output Current	T case Max.	Min. Starting Temp.	Efficiency Up To	IP Rating
40W	47W	0.39A @ 120V 0.17A @ 277V	>0.9	<20%	28-36V	1100mA±5%	90°C	-40°C	>86%	66

WIRING:



PHYSICAL:



RSET TABLE

RSET (Ω)	Iout (mA)	RSET (Ω)	Iout (mA)
>4.7K	1100	2.2K	780
4.7K	1100	1.5K	610
3.74K	1050	1.3K	550
3.2K	960		
2.7K	880		

Dimensions

Length	12.4"
Width	1.3"
Height	1.1"
Mounting Length	11.8"
Weight	XX lbs.
Case Qty.	XX pcs.

SAFETY & PERFORMANCE:

- Class A sound rating
- No PCBs
- Open/Short Circuit Protection
- LED driver has a life expectancy of 50,000 hours at Tcase of $\leq 75^{\circ}\text{C}$
- LED driver has a life expectancy of 100,000 hours at Tcase of $\leq 65^{\circ}\text{C}$
- Warranty: 5 yrs based on max case temp of $< 75^{\circ}\text{C}$; 3 yrs based on max case temp of 90°C *
- Input/Output Isolation
- FCC Title 47 CFR Part 15
- Surge Protection (2 KV)

INSTALLATION:

- LED drivers shall be installed inside electrical enclosures
- 18 AWG 600V/105C tinned strand copper lead-wires are required to use in installation
- Max Remote installation distance is 18 ft
- LED driver cases should be grounded



*A.C.E. warrants to the purchaser that each LED Driver will be free from defects in material or workmanship for a period of 5 years when operated at max case temp of up to $< 75^{\circ}\text{C}$; 3 years from date of manufacture when operated at a max case temp of up to 90°C when properly installed and under normal conditions of use. See www.aceleds.com for complete warranty policy.

3401 Avenue D, Arlington, TX 76011 • 800-375-6355 • www.aceleds.com

Data is based upon tests performed by AC Electronics in a controlled environment and representative performance. Actual performance can vary depending on operating conditions. Specifications are subject to change without notice. All specifications are nominal unless otherwise noted.