

## AC-MHB35S Group

Type: Pulse Start Metal Halide Electronic Ballast  
 Lamp Connection: Single  
 Lamp Types: 35/39W ANSI Code M130  
 SLI lamps or cross reference GE, Philips or  
 Sylvania/OSRAM lamps

### SPECIFICATIONS

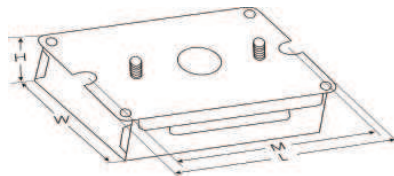
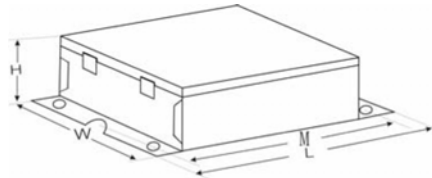
| Input Voltage | Number of Lamps | Lamp ANSI | Lamp Watts | Input Watts (typical) | Input Current (typical) | Power Factor | Max THD | Crest Factor | Ballast Factor | Bench Heat Test at 25°C Ambient |
|---------------|-----------------|-----------|------------|-----------------------|-------------------------|--------------|---------|--------------|----------------|---------------------------------|
| 347           | 1               | M130      | 35/39W     | 45.4W                 | 0.13A                   | .99          | <10%    | <1.7         | 1.00           | 48°C                            |

### SAFETY & PERFORMANCE

- 347V, 50/60Hz Input Voltage
- UL Listed
- CUL Listed
- Type HL
- High Power Factor
- Type 1 Outdoor
- Sound Rated A
- Surge Protected
- Short Circuit Protection/Auto Shut Off
- Class P Thermally Protected (Inherent)
- Thermal Trigger Protection
- EMI/RFI Meets FCC Part18 Subpart C
- End of Lamp Life Protection
- Strike Fail Protection
- Lamp Fail Protection
- Open Circuit Protection
- Auto Restart
- No PCBs

### OPTIONS

AC-MHB35BMS<sup>†</sup> (Bottom Mount)  
 AC-MHB35BMS-DT (Bottom Mount, External Thermal Protector Compatible Model; LxWxHxM: 4.37" x 3.58" x 1.26" x 5.03")  
 AC-MHB35BMSF-DT (Bottom Mount, External Thermal Protector Compatible Model; LxWxHxSTS: 3.82" x 2.95" x 1.26" x 2")



### Dimensions

|               |           |
|---------------|-----------|
| Length (L)    | 4.37"     |
| Width (W)     | 3.07"     |
| Height (H)    | 1.26"     |
| Mounting (M)  | 4.02"     |
| Mounting (S)  | 2.36"     |
| Hole Diameter | 0.20"     |
| Weight        | 0.99 lbs. |
| Case Qty.     | 40 pcs.   |

### APPLICATION

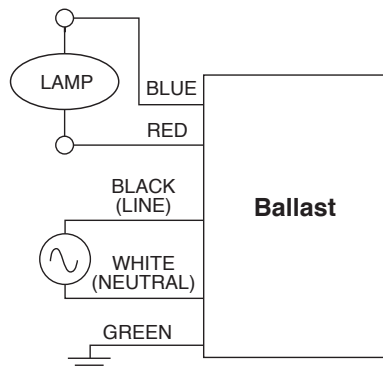
- Minimum Starting Temp -30°C
- Maximum Case Temp 90°C
- Remote Wiring Length up to 50 ft

### Bottom Mount<sup>†</sup>

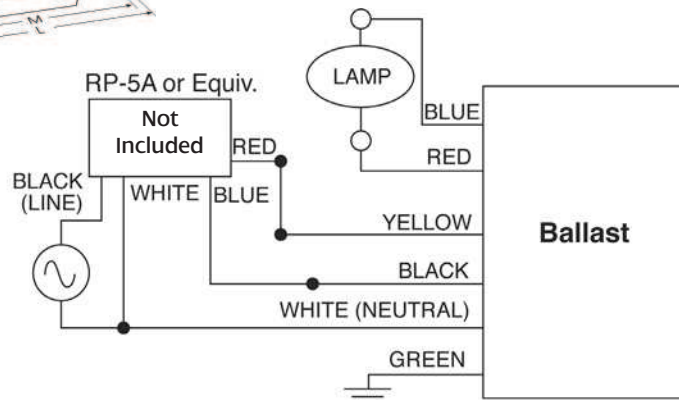
|        |      |
|--------|------|
| Black  | 9.8" |
| White  | 9.8" |
| Red    | 9.8" |
| Blue   | 9.8" |
| Yellow | 9.8" |
| Green  | 9.8" |

### Wiring Lengths

|       |      |
|-------|------|
| Black | 9.8" |
| White | 9.8" |
| Blue  | 9.8" |
| Red   | 9.8" |
| Green | 9.8" |



AC-MHB35S and AC-MHB35BMS



AC-MHB35BMS-DT and AC-MHB35BMSF-DT

### INSTALLATION

- Install in accordance with the National Electrical Code
- Use with 600V/4 KV pulse rated wire
- Use external ground wire
- Do not connect any lamp lead to neutral
- Mounting side of ballast package must be in complete contact with metallic fixture surface for proper thermal dissipation



### WARRANTY

AC Electronics warrants to the purchaser that each electronic ballast will be free from defects in material or workmanship for a period of 3 years from the date of manufacture when properly installed and under normal conditions of use.

Administration & Distribution Center: 3401 Avenue D, Arlington, TX 76011  
 1-800-375-6355 • www.ace-ballast.com

Data is based upon tests performed by AC Electronics in a controlled environment and representative performance. Actual performance can vary depending on operating conditions. Specifications are subject to change without notice. All specifications are nominal unless otherwise noted.

