

AC-MH35UVS Group

Type: Pulse Start Metal Halide Electronic Ballast
Lamp Connection: Single
Lamp Types: 35/39W ANSI Code M130
SLI lamps or cross reference GE, Philips or
Sylvania/OSRAM lamps

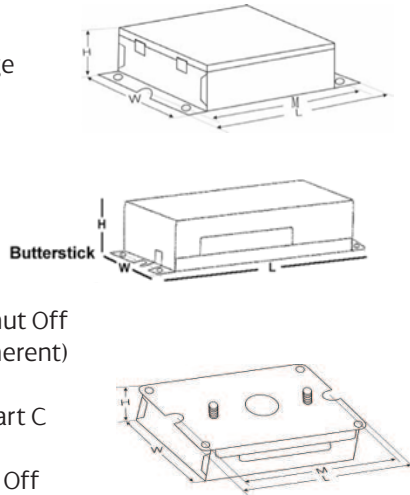


SPECIFICATIONS

Input Voltage	Number of Lamps	Lamp ANSI	Lamp Watts	Input Watts (typical)	Input Current (typical)	Power Factor	Max THD	Crest Factor	Ballast Factor	Bench Heat Test at 25°C Ambient
120V	1	M130	39W	48.7W	0.41A	0.99	<10%	<1.7	1.00	47°C
120V	1	M130	35W	47.0W	0.40A	0.99	<10%	<1.7	1.00	42°C
277V	1	M130	39W	47.3W	0.17A	0.99	<10%	<1.7	1.00	48°C
277V	1	M130	35W	45.0W	0.16A	0.99	<10%	<1.7	1.00	42°C

SAFETY & PERFORMANCE

- 120-277V, 50/60Hz Input Voltage
- UL Listed
- cUL Listed
- Type HL
- High Power Factor
- Type 1 Outdoor
- Sound Rated A
- Surge Protected
- Short Circuit Protection/Auto Shut Off
- Class P Thermally Protected (Inherent)
- Thermal Trigger Protection
- EMI/RFI Meets FCC Part 18 Subpart C
- End of Lamp Life Protection
- Hot Lamp Protection/Auto Shut Off
- Strike Fail Protection
- Lamp Fail Protection
- Open Circuit Protection
- Auto Restart
- No PCBs



Wiring Lengths	
Black	9.8"
White	9.8"
Blue	9.8"
Red	9.8"
Green	9.8"

Dimensions	
Length (L)	4.37"
Width (W)	3.07"
Height (H)	1.26"
Mounting (M)	4.02"
Mounting (S)	2.36"
Hole Diameter	0.20"
Weight	0.99 lbs.
Case Qty.	40 pcs.

BMS-DT Models†	
Width (W)	3.03"
Black	13.8"
White	13.8"
Blue	13.8"
Red	13.8"
Green	13.8"

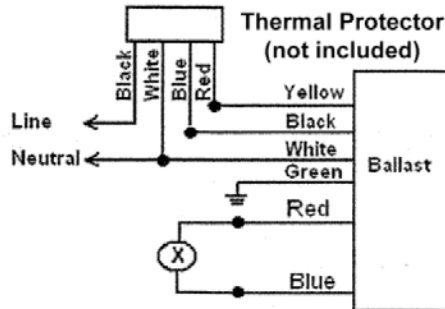
Butterstick††	
Length (L)	6.22"
Width (W)	1.73"
Height (H)	1.22"
Mounting (M)	5.87"
Mounting (S)	1.22"
Weight	1.47 lbs.
Black	12.6"
White	12.2"
Blue	12.2"
Red	12.2"
Green	12.2"
Case Qty.	30 pcs.

APPLICATION

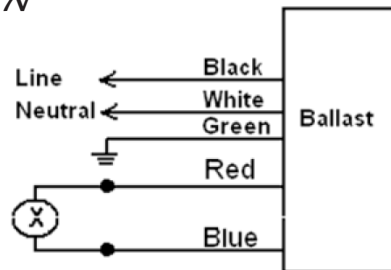
- Minimum Starting Temp -30°C
- Maximum Case Temp 90°C
- Remote Wiring Length up to 50 ft

OPTIONS

- AC-MH35UVBMS (Bottom Mount)
- AC-MH35UVS-L†† (Butterstick)
- AC-MH35UVS-DT (Thermal Protector Ready) 120V
- AC-MH35UVS-DT (Thermal Protector Ready) 277V
- AC-MH35UVBMS-DT† (Bottom Mount, Thermal Protector Ready) 120V
- AC-MH35UVBMS-DT† (Bottom Mount, Thermal Protector Ready) 277V



AC-MH35UVS-DT 120/277V



AC-MH35UVS 120/277V

INSTALLATION

- Install in accordance with the National Electrical Code
- Use with 600V/4 kV pulse rated wire
- Use external ground wire
- Do not connect any lamp lead to neutral
- Mounting side of ballast package must be in complete contact with metallic fixture surface for proper thermal dissipation

WARRANTY

AC Electronics warrants to the purchaser that each electronic ballast will be free from defects in material or workmanship for a period of 3 years from the date of manufacture when properly installed and under normal conditions of use.



Administration & Distribution Center: 3401 Avenue D, Arlington, TX 76011 • 1-800-375-6355 • www.ace-ballast.com

Data is based upon tests performed by AC Electronics in a controlled environment and representative performance. Actual performance can vary depending on operating conditions. Specifications are subject to change without notice. All specifications are nominal unless otherwise noted.

