

## AC-MHB70S Group

Type: Pulse Start Metal Halide Electronic Ballast  
 Lamp Connection: Single  
 ANSI Lamp Codes: M85, M98, M139 or M143  
 SLI lamps or cross reference  
 70 Watt Metal Halide lamps

### SPECIFICATIONS

Input Voltage	Number of Lamps	Lamp Watts	Input Watts (typical)	Input Current (typical)	Power Factor	THD	Crest Factor	Ballast Factor
347	1	70W	79W	0.23A	0.98	<10%	<1.7	1.0

### SAFETY & PERFORMANCE

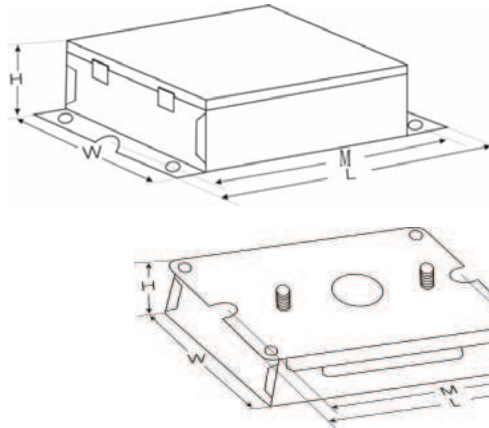
- 347V, 50/60Hz Input Voltage
- UL Listed
- cUL Listed
- Type 1 Outdoor
- Sound Rated A
- Short Circuit Protection
- Class P Thermally Protected (Inherent)
- Surge Protected – Meets ANSI C62.41
- EMI/RFI Meets FCC Part18 Subpart C
- Strike Fail Protection
- Lamp Fail Protection
- Open Circuit Protection
- Auto Reset
- No PCBs

### OPTIONS

- AC-MHB70BMS (Bottom Mount)
- AC-MHB70S-DT (External Thermal Protector Compatible Model)
- AC-MHB70BMS-DT (Bottom Mount, External Thermal Protector Compatible Model)
- AC-MHB70BMSF-DT (Bottom Mount, External Thermal Protector Compatible Model; LxWxHxSTS: 4.8" x 3.58" x 1.26" x 2.0")

### APPLICATION

- Minimum Starting Temp -30°C
- Maximum Case Temp 90°C
- Remote Wiring Length up to 50 ft

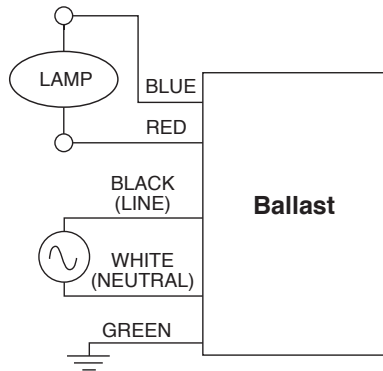


### Dimensions

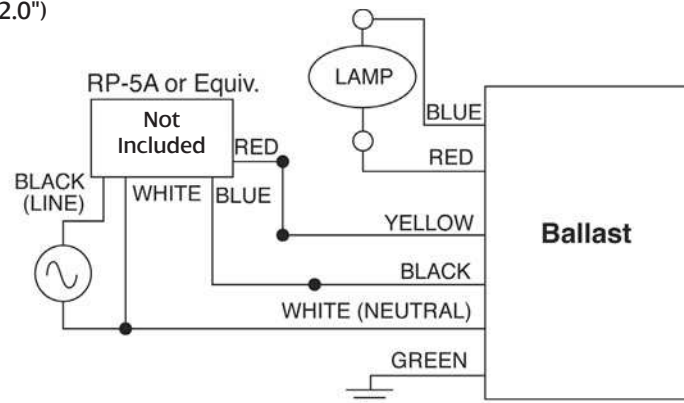
Length (L)	5.43"
Width (W)	3.58"
Height (H)	1.26"
Mounting (M)	5.04"
Mounting (S)	2.83"
Hole Diameter	0.20"
Weight	1.47 lbs.
Case Qty.	30 pcs.

### Wiring Lengths

Black	9.8"
White	9.8"
Blue	9.8"
Red	9.8"
Green	9.8"
Yellow	9.8"



AC-MHB70S



AC-MHB70S-DT, AC-MHB70BMS-DT and AC-MHB70BMSF-DT

### INSTALLATION

- Install in accordance with the National Electrical Code
- Use with 600V/4 KV pulse rated wire
- Use external ground wire
- Do not connect any lamp lead to neutral
- Mounting side of ballast package must be in complete contact with metallic fixture surface for proper thermal dissipation



### WARRANTY

AC Electronics warrants to the purchaser that each electronic Metal Halide ballast will be free from defects in material or workmanship for a period of 3 years from the date of manufacture when properly installed and under normal conditions of use.

Administration & Distribution Center: 3401 Avenue D, Arlington, TX 76011  
 1-800-375-6355 • www.ace-ballast.com

Data is based upon tests performed by AC Electronics in a controlled environment and representative performance. Actual performance can vary depending on operating conditions. Specifications are subject to change without notice. All specifications are nominal unless otherwise noted.

