

AC-MH70UVHS Group

Type: Pulse Start Metal Halide Electronic Ballast
 Lamp Connection: Single
 Lamp Types: One 70W ANSI Codes M143, M139, M98 or M85
 SLI lamps or cross reference
 GE, Philips or Sylvania/OSRAM lamps

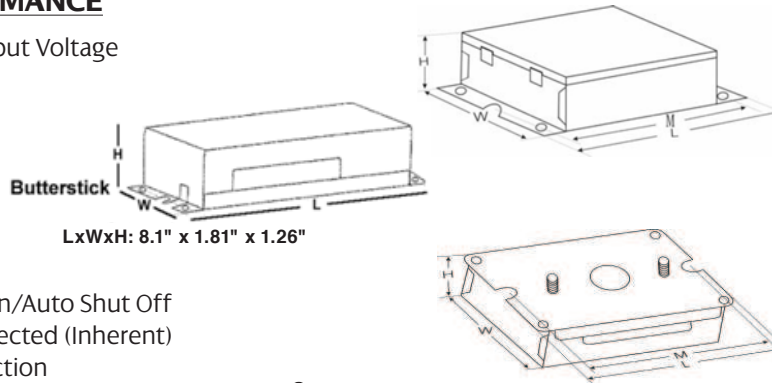


SPECIFICATIONS

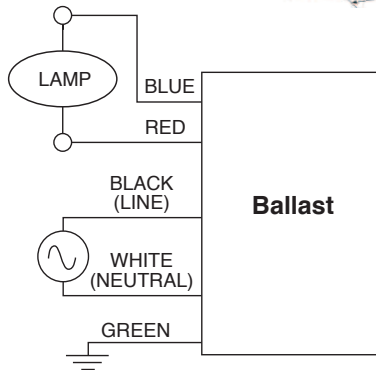
| Input Voltage | Number of Lamps | Lamp ANSI Code | Lamp Watts | Input Watts (typical) | Input Current (typical) | Max THD | Power Factor | Crest Factor | Ballast Factor | Bench Heat Test at 25° Ambient |
|---------------|-----------------|------------------------|------------|-----------------------|-------------------------|---------|--------------|--------------|----------------|--------------------------------|
| 120 | 1 | M143, M139, M98 or M85 | 70W | 80W | 0.67A | <10% | .99 | <1.7 | 1.00 | 49°C |
| 277 | 1 | M143, M139, M98 or M85 | 70W | 78W | 0.29A | <10% | .99 | <1.7 | 1.00 | 48°C |

SAFETY & PERFORMANCE

- 120-277V, 50/60Hz Input Voltage
- UL Listed
- cUL Listed
- Type HL
- High Power Factor
- Type 1 Outdoor
- Sound Rated A
- Surge Protected
- Short Circuit Protection/Auto Shut Off
- Class P Thermally Protected (Inherent)
- Thermal Trigger Protection
- EMI/RFI Meets FCC Part18 Subpart C
- End of Lamp Life Protection
- Hot Lamp Protection/Auto Shut Off
- Thermal Trigger Protection
- Strike Fail Protection
- Lamp Fail Protection
- Open Circuit Protection
- Auto Restart
- No PCBs



| Dimensions | |
|---------------|-----------|
| Length (L) | 5.42" |
| Width (W) | 3.58" |
| Height (H) | 1.57" |
| Mounting (M) | 5.03" |
| Mounting (S) | 2.83" |
| Hole Diameter | 0.20" |
| Weight | 0.94 lbs. |
| Case Qty. | 30 pcs. |



AC-MH70UVHS

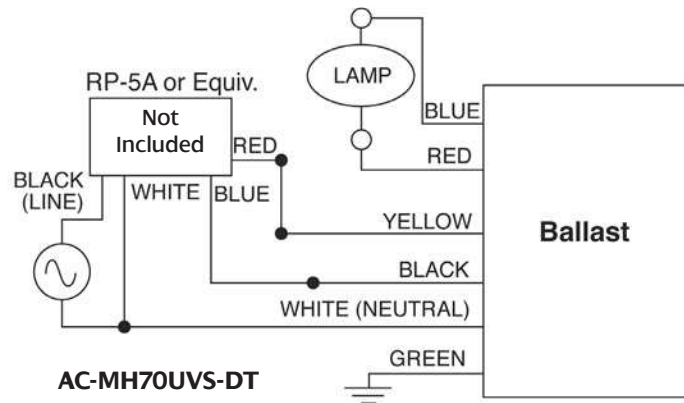
| Wiring Lengths | |
|----------------|------|
| Black | 9.8" |
| White | 9.8" |
| Blue | 9.8" |
| Red | 9.8" |
| Green | 9.8" |

APPLICATION

- Minimum Starting Temp -30°C
- Maximum Case Temp 90°C
- Remote Wiring Length up to 50 ft

OPTIONS

- AC-MH70UVS-DT (External Thermal Protector Compatible Model)
- AC-MH70UVHBS (Bottom Mount: Stud to Stud 2")
- AC-MH70UVSL (Butterstick)



AC-MH70UVS-DT

INSTALLATION

- Install in accordance with the National Electrical Code
- Use with 600V/4 kV pulse rated wire
- Use external ground wire
- Do not connect any lamp lead to neutral
- Mounting side of ballast package must be in complete contact with metallic fixture surface for proper thermal dissipation

WARRANTY

AC Electronics warrants to the purchaser that each electronic ballast will be free from defects in material or workmanship for a period of 3 years from the date of manufacture when properly installed and under normal conditions of use.



Administration & Distribution Center: 3401 Avenue D, Arlington, TX 76011 • 1-800-375-6355 • www.ace-ballast.com

Data is based upon tests performed by AC Electronics in a controlled environment and representative performance. Actual performance can vary depending on operating conditions. Specifications are subject to change without notice. All specifications are nominal unless otherwise noted.

