

AC-MHB100S Group

Type: Pulse Start Metal Halide Electronic Ballast
 Lamp Connection: Single
 ANSI Lamp Codes: M164, M140, M90
 SLI lamps or cross reference
 100 Watt Metal Halide lamps

SPECIFICATIONS

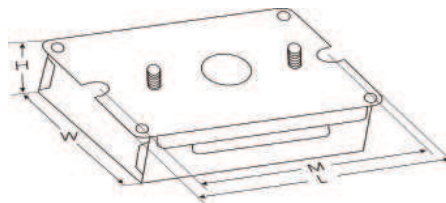
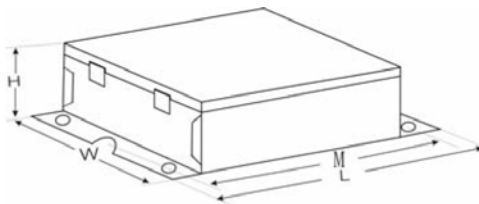
Input Voltage	Number of Lamps	Lamp Watts	Input Watts (typical)	Input Current (typical)	Power Factor	THD	Crest Factor	Ballast Factor
347	1	100W	110.65W	0.32A	0.98	<10%	<1.7	1.0

SAFETY & PERFORMANCE

- 347V, 50/60Hz Input Voltage
- UL Listed
- cUL Listed
- Type HL
- High Power Factor
- Type 1 Outdoor
- Sound Rated A
- Short Circuit Protection
- Class P Thermally Protected (Inherent)
- Surge Protected – Meets ANSI C62.41
- Meets all relevant ANSI specifications
- End of Lamp Life Protection
- EMI/RFI Meets FCC Part 18 Subpart C
- Hot Lamp Protection Auto Shut Off
- Strike Fail Protection
- Lamp Fail Protection
- Open Circuit Protection
- Auto Reset
- No PCBs

OPTIONS

- AC-MHB100BMS (Bottom Mount)
- AC-MHB100BMS-DT (Bottom Mount, External Thermal Protector Compatible Model)
- AC-MHB100S-DT (External Thermal Protector Compatible Model)

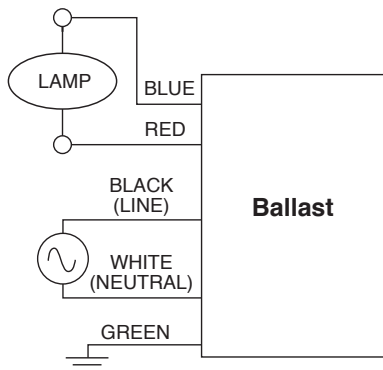


Dimensions	
Length (L)	5.43"
Width (W)	3.58"
Height (H)	1.57"
Mounting (M)	5.04"
Mounting (S)	2.83"
Hole Diameter	0.20"
Weight	1.66 lbs.
Case Qty.	20 pcs.

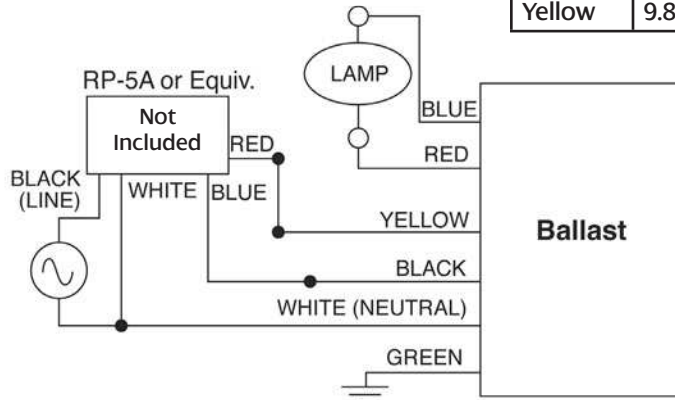
APPLICATION

- Minimum Starting Temp -30°C
- Maximum Case Temp 90°C
- Remote Wiring Length up to 50 ft

Wiring Lengths	
Black	9.8"
White	9.8"
Blue	9.8"
Red	9.8"
Green	9.8"
Yellow	9.8"



AC-MHB100S



AC-MHB100S-DT and AC-MHB100BMS-DT

INSTALLATION

- Install in accordance with the National Electrical Code
- Use with 600V/4 KV pulse rated wire
- Use external ground wire
- Do not connect any lamp lead to neutral
- Mounting side of ballast package must be in complete contact with metallic fixture surface for proper thermal dissipation



WARRANTY

AC Electronics warrants to the purchaser that each electronic Metal Halide ballast will be free from defects in material or workmanship for a period of 3 years from the date of manufacture when properly installed and under normal conditions of use.

Administration & Distribution Center: 3401 Avenue D, Arlington, TX 76011
 1-800-375-6355 • www.ace-ballast.com

Data is based upon tests performed by AC Electronics in a controlled environment and representative performance. Actual performance can vary depending on operating conditions. Specifications are subject to change without notice. All specifications are nominal unless otherwise noted.

