

AC-MHB150S Group

Type: Pulse Start Metal Halide Electronic Ballast
Lamp Connection: Single
ANSI Lamp Codes: M102 or M142
SLI lamps or cross reference
150 Watt Metal Halide lamps

SPECIFICATIONS

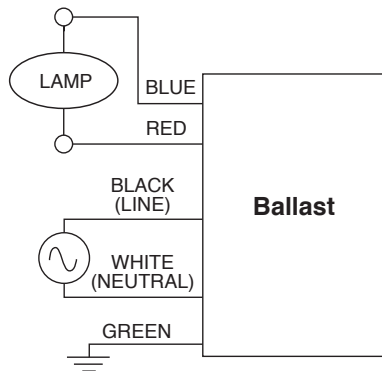
Input Voltage	Number of Lamps	Lamp Watts	Input Watts (typical)	Input Current (typical)	Power Factor	THD	Crest Factor	Ballast Factor
347	1	150W	165W	0.48A	0.98	<10%	<1.7	1.0

SAFETY & PERFORMANCE

- 347V, 50/60Hz Input Voltage
- UL Listed
- cUL Listed
- Type HL
- High Power Factor
- Type 1 Outdoor
- Sound Rated A
- Short Circuit Protection
- Class P Thermally Protected (Inherent)
- Surge Protected – Meets ANSI C62.41
- Meets all relevant ANSI specifications
- End of Lamp Life Protection
- EMI/RFI Meets FCC Part 18 Subpart C
- Hot Lamp Protection Auto Shut Off
- Strike Fail Protection
- Lamp Fail Protection
- Open Circuit Protection
- Auto Reset
- No PCBs

APPLICATION

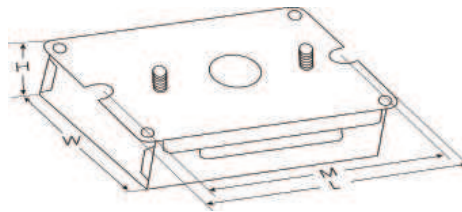
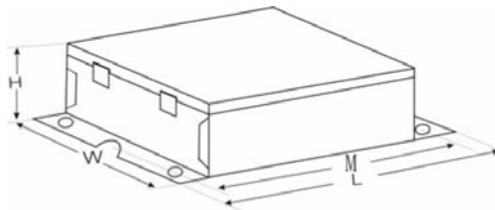
- Minimum Starting Temp -30°C
- Maximum Case Temp 90°C
- Remote Wiring Length up to 50 ft



AC-MHB150S

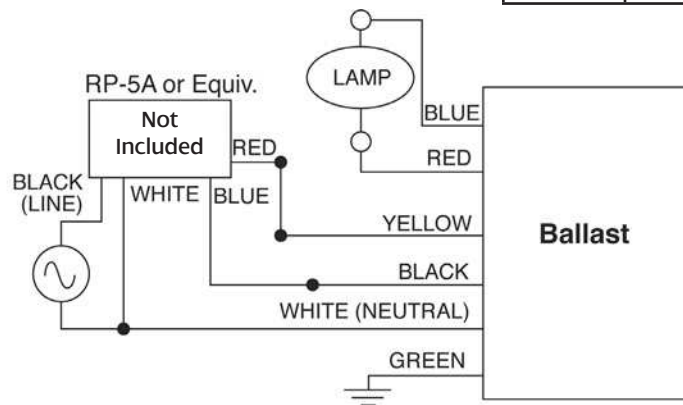
OPTIONS

AC-MHB150BMS (Bottom Mount)
AC-MHB150S-DT (External Thermal Protector Compatible Model)
AC-MHB150BMS-DT (Bottom Mount, External Thermal Protector Compatible Model)



Dimensions	
Length (L)	6.85"
Width (W)	3.58"
Height (H)	1.73"
Mounting (M)	6.42"
Mounting (S)	2.83"
Hole Diameter	0.20"
Weight	2.0 lbs.
Case Qty.	20 pcs.

Wiring Lengths	
Black	9.8"
White	9.8"
Blue	9.8"
Red	9.8"
Green	9.8"
Yellow	9.8"



AC-MHB150S-DT and AC-MHB150BMS-DT

INSTALLATION

- Install in accordance with the National Electrical Code
- Use with 600V/4 KV pulse rated wire
- Use external ground wire
- Do not connect any lamp lead to neutral
- Mounting side of ballast package must be in complete contact with metallic fixture surface for proper thermal dissipation

RoHS
COMPLIANT
LEAD-FREE



WARRANTY

AC Electronics warrants to the purchaser that each electronic Metal Halide ballast will be free from defects in material or workmanship for a period of 3 years from the date of manufacture when properly installed and under normal conditions of use.

Administration & Distribution Center: 3401 Avenue D, Arlington, TX 76011
1-800-375-6355 • www.ace-ballast.com

Data is based upon tests performed by AC Electronics in a controlled environment and representative performance. Actual performance can vary depending on operating conditions. Specifications are subject to change without notice. All specifications are nominal unless otherwise noted.

