

ESD-A110T12HO

Type: Rapid Start Electronic Ballast
Lamp Connection: Dual Lamps in Series
Lamp Types:
One or Two F96T12HO or
Two F72T12HO, F60T12HO or F48T12HO
SLI lamps or cross reference Philips, GE or Sylvania/OSRAM lamps



SPECIFICATIONS

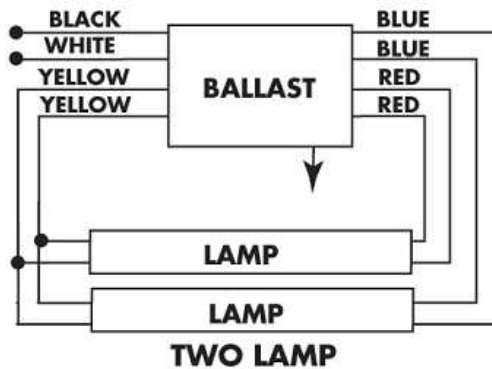
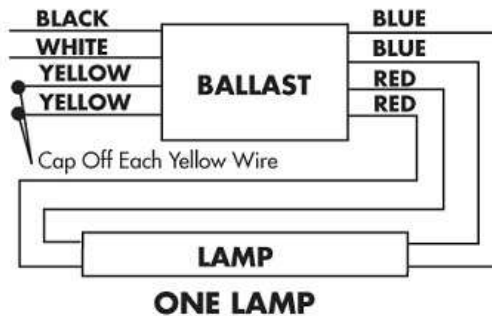
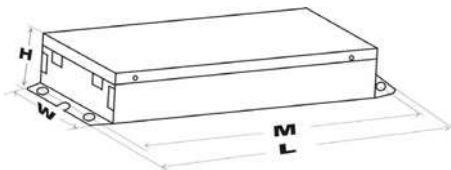
Input Voltage	Number of Lamps	Lamp Type	Lamp Watts	Input Watts (typical)	Input Current (typical)	Power Factor	Max THD	Crest Factor	Ballast Factor	Bench Heat Test at 25°C Ambient
120V	1	F96T12HO	110W	110W	0.91A	0.99	<10%	<1.7	0.86	65°C
120V	2	F96T12HO	110W	194W	1.62A	0.99	<10%	<1.7	0.84	65°C
120V	2	F72T12HO	85W	160W	1.30A	0.99	<10%	<1.7	0.90	65°C
120V	2	F60T12HO	75W	140W	1.20A	0.99	<10%	<1.7	1.00	65°C
120V	2	F48T12HO	60W	120W	1.00A	0.99	<10%	<1.7	1.10	65°C
230V	1	F96T12HO	110W	113W	0.49A	0.99	<10%	<1.7	0.85	65°C
230V	2	F96T12HO	110W	192W	0.83A	0.99	<10%	<1.7	0.83	65°C
230V	2	F72T12HO	85W	160W	0.70A	0.99	<10%	<1.7	0.90	65°C
230V	2	F60T12HO	75W	140W	0.61A	0.99	<10%	<1.7	1.00	65°C
230V	2	F48T12HO	60W	120W	0.52A	0.99	<10%	<1.7	1.10	65°C
277V	1	F96T12HO	110W	113W	0.41A	0.99	<10%	<1.7	0.85	65°C
277V	2	F96T12HO	110W	192W	0.69A	0.99	<10%	<1.7	0.83	65°C
277V	2	F72T12HO	85W	160W	0.58	0.99	<10%	<1.7	0.90	65°C
277V	2	F60T12HO	75W	140W	0.51	0.99	<10%	<1.7	1.00	65°C
277V	2	F48T12HO	60W	120W	0.44	0.99	<10%	<1.7	1.10	65°C

SAFETY & PERFORMANCE

- 120-277V, 50/60Hz Input Voltage
- UL Listed
- cUL Listed
- Type HL
- High Power Factor
- Type 1 Outdoor
- Sound Rated A
- Surge Protected
- EMI/RFI: Meets Fcc Part 18 Subpart C
- Class P Thermally Protected (Inherent)
- No PCBs

APPLICATION

- Minimum Starting Temp -30°C
- Maximum Case Temp 75°C
- Remote Wiring Length up to 18 ft



Dimensions	
Length (L)	11.57"
Width (W)	2.4"
Height (H)	1.65"
Mounting (M)	11.1"
Weight	3.16 lbs.
Case Qty.	15 pcs.

Wire Lengths	
Black	22"
White	22"
Red	46"
Blue	46"
Yellow	70"

INSTALLATION

- Install in accordance with the National Electrical Code
- Use with 600V rated wire
- Use external ground wire
- Do not connect any lamp lead to neutral
- Mounting side of ballast package must be in complete contact with metallic fixture surface for proper thermal dissipation

WARRANTY

AC Electronics warrants to the purchaser that each electronic ballast will be free from defects in material or workmanship for a period of 3 years from the date of manufacture when properly installed and under normal conditions of use.



Administration & Distribution Center: 3401 Avenue D, Arlington, TX 76011 • 1-800-375-6355 • www.ace-ballast.com

Data is based upon tests performed by AC Electronics in a controlled environment and representative performance. Actual performance can vary depending on operating conditions. Specifications are subject to change without notice. All specifications are nominal unless otherwise noted.

