

## AC-2/32T8UVIS

Type: Instant Start Electronic Ballast  
 Lamp Connection: Parallel  
 Lamp Types:  
 One or Two FO32T8, FO25T8, FO17T8  
 SLI lamps or cross reference  
 Philips, GE and  
 Sylvania/OSRAM lamps

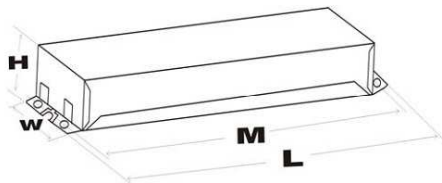


### SPECIFICATIONS

Input Voltage	Number of Lamps	Lamp Type	Lamp Watts	Input Watts (typical)	Input Current (typical)	Power Factor	Max THD	Crest Factor	Ballast Factor
120V	1	FO17T8	17W	23W	0.19A	0.99	<10%	<1.7	0.92
120V	2	FO17T8	17W	58W	0.49A	0.99	<10%	<1.7	0.88
120V	1	FO25T8	25W	30W	0.25A	0.99	<10%	<1.7	0.93
120V	2	FO25T8	25W	58W	0.43A	0.99	<10%	<1.7	0.97
120V	1	FO32T8	32W	38W	0.32A	0.99	<10%	<1.7	0.96
120V	2	FO32T8	32W	63W	0.52A	0.99	<10%	<1.7	1.00
277V	1	FO17T8	17W	23W	0.85A	0.95	<10%	<1.7	0.92
277V	2	FO17T8	17W	35W	0.13A	0.97	<10%	<1.7	0.84
277V	1	FO25T8	25W	31W	0.12A	0.97	<10%	<1.7	0.93
277V	2	FO25T8	25W	52W	0.19A	0.99	<10%	<1.7	1.00
277V	1	FO32T8	32W	38W	0.14A	0.99	<10%	<1.7	0.96
277V	2	FO32T8	32W	62W	0.23A	0.98	<10%	<1.7	0.88

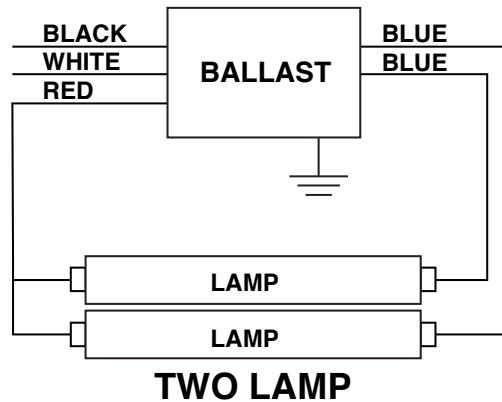
### SAFETY & PERFORMANCE

- 120-277V, 50/60Hz Input Voltage
- UL Listed
- cUL Listed
- High Power Factor
- Type 1 Outdoor
- Sound Rated A
- Surge Protected
- Class P Thermally Protected (Inherent)
- No PCBs



### APPLICATION

- Minimum Starting Temp -18°F
- Maximum Starting Temp 75°C
- Remote Wiring Length up to 18 ft



### Dimensions

Length (L)	9.50"
Width (W)	1.35"
Height (H)	1.00"
Mounting (M)	8.90"
Mounting (S)	1.02"
Hole Diameter	0.24"
Weight	0.90 lbs.
Case Qty.	20 pcs.

### Wire Lengths

Black	16"
White	16"
Red	36"
Blue (2)	24"

### INSTALLATION

- Install in accordance with the National Electrical Code
- Use with 600V rated wire
- Use external ground wire
- Do not connect any lamp lead to neutral
- Mounting side of ballast package must be in complete contact with metallic fixture surface for proper thermal dissipation



### WARRANTY

AC Electronics warrants to the purchaser that each electronic ballast will be free from defects in material or workmanship for a period of 5 years from the date of manufacture when properly installed and under normal conditions of use.

Administration & Distribution Center: 3401 Avenue D, Arlington, TX 76011  
 1-800-375-6355 • www.ace-ballast.com

Data is based upon tests performed by AC Electronics in a controlled environment and representative performance. Actual performance can vary depending on operating conditions. Specifications are subject to change without notice. All specifications are nominal unless otherwise noted.

