

EPD-159T8M

Type: Instant Start Electronic Ballast

Lamp Connection: Parallel

Lamp Types:

One or Two F96T8

SLI lamps or cross reference

Philips or Sylvania/OSRAM lamps



SPECIFICATIONS

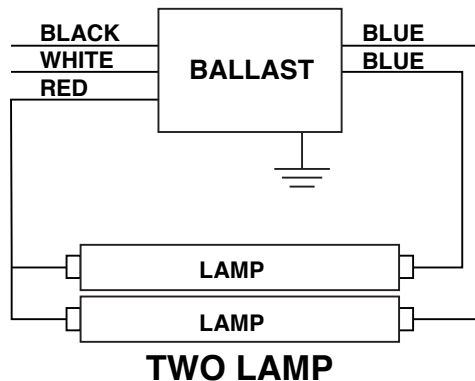
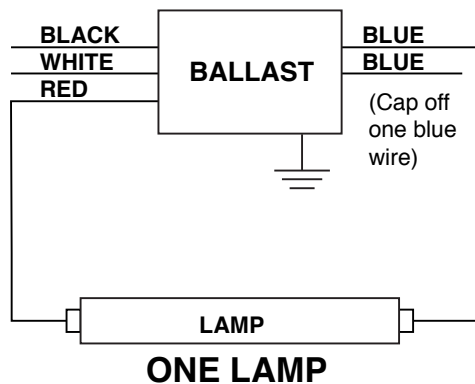
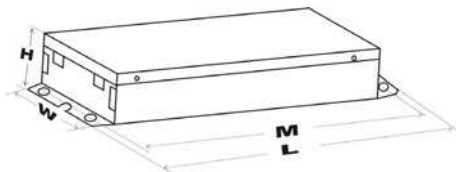
Input Voltage	Number of Lamps	Lamp Type	Lamp Watts	Input Watts (typical)	Input Current (typical)	Power Factor	Max THD	Crest Factor	Ballast Factor
120V	1	F96T8	59W	66W	0.55A	0.99	<10%	<1.7	1.07
120V	2	F96T8	59W	107W	0.89A	0.99	<10%	<1.7	.89

SAFETY & PERFORMANCE

- 120V, 50/60Hz Input Voltage
- UL Listed
- cUL Listed
- Type HL
- High Power Factor
- Type 1 Outdoor
- Sound Rated A
- Auto Restart
- Surge Protected
- EMI/RFI: Meets FCC Part 18 Subpart C
- Class P Thermally Protected (Inherent)
- No PCBs

APPLICATION

- Minimum Starting Temp 0°C
- Maximum Case Temp 75°C
- Remote Wiring Length up to 18 ft



Dimensions

Length (L)	9.5"
Width (W)	1.7"
Height (H)	1.2"
Mounting (M)	8.9"
Mounting (S)	1.3"
Hole Diameter	0.2"
Weight	1.40 lbs.
Case Qty.	30 pcs.

Wire Lengths

Black	18.8"
White	18.8"
Red	46.4"
Blue (2)	30.9"

INSTALLATION

- Install in accordance with the National Electrical Code
- Use with 600V rated wire
- Use external ground wire
- Do not connect any lamp lead to neutral
- Mounting side of ballast package must be in complete contact with metallic fixture surface for proper thermal dissipation



WARRANTY

AC Electronics warrants to the purchaser that each electronic ballast will be free from defects in material or workmanship for a period of 5 years from the date of manufacture when properly installed and under normal conditions of use.

Administration & Distribution Center: 3401 Avenue D, Arlington, TX 76011
1-800-375-6355 • www.ace-ballast.com

Data is based upon tests performed by AC Electronics in a controlled environment and representative performance. Actual performance can vary depending on operating conditions. Specifications are subject to change without notice. All specifications are nominal unless otherwise noted.

