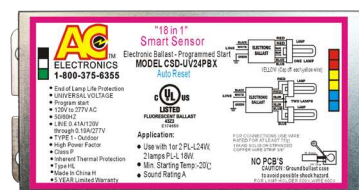


## CSD-UV24PBX

Type: Programmed Start Electronic Ballast  
 Lamp Connection: Dual Lamps in Series  
 Lamp Types: One or Two PL-L24W, F27BX, F24BX or two PL-L18W SLI lamps or cross reference GE, Philips or Sylvania/OSRAM lamps



### SPECIFICATIONS

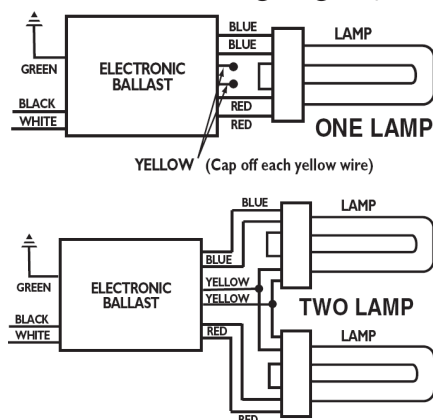
Input Voltage	Number of Lamps	Lamp Type	Lamp Watts	Input Watts (typical)	Input Current (typical)	Power Factor	Max THD	Crest Factor	Ballast Factor
120V	2	PL-L18	18W	37W	0.30A	0.99	<10%	<1.7	0.89
230V	2	PL-L18	18W	37W	0.17A	0.99	<10%	<1.7	0.91
277V	2	PL-L18	18W	37W	0.13A	0.99	<10%	<1.7	0.91
120V	1	PL-L24 or F24BX	24W	28W	0.23A	0.98	<15%	<1.7	0.93
230V	1	PL-L24 or F24BX	24W	28W	0.13A	0.98	<15%	<1.7	0.95
277V	1	PL-L24 or F24BX	24W	28W	0.10A	0.98	<15%	<1.7	0.95
120V	2	PL-L24 or F24BX	24W	52W	0.43A	0.99	<10%	<1.7	0.88
230V	2	PL-L24 or F24BX	24W	52W	0.23A	0.99	<10%	<1.7	0.90
277V	2	PL-L24 or F24BX	24W	52W	0.18A	0.99	<10%	<1.7	0.90
120V	1	F27BX	27W	28W	0.23A	0.98	<15%	<1.7	0.93
230V	1	F27BX	27W	28W	0.13A	0.98	<15%	<1.7	0.95
277V	1	F27BX	27W	28W	0.10A	0.98	<15%	<1.7	0.95
120V	2	F27BX	27W	52W	0.43A	0.99	<10%	<1.7	0.88
230V	2	F27BX	27W	52W	0.23A	0.99	<10%	<1.7	0.90
277V	2	F27BX	27W	52W	0.18A	0.99	<10%	<1.7	0.90

### SAFETY & PERFORMANCE

- 120-277V, 50/60Hz Input Voltage
- UL Listed
- cUL Listed
- Type HL
- Overcurrent Protection
- Thermal Trigger Protection
- High Power Factor
- End of Lamp Life Protection
- EMI/RFI: Meets FCC Part 18 Subpart C
- Class P Thermally Protected (Inherent)
- Type 1 Outdoor
- Sound Rated A
- Surge Protected
- Auto Restart
- No PCBs

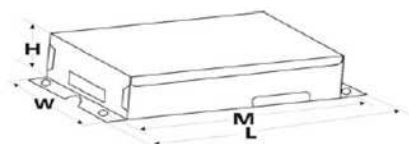
### APPLICATION

- Minimum Starting Temp -20°C
- Maximum Case Temp 75°C
- Remote Wiring Length up to 25 ft



### Dimensions

Length (L)	5.36"
Width (W)	2.48"
Height (H)	1.18"
Mounting (M)	4.84"
Mounting (S)	1.52"
Hole Diameter	0.27"
Weight	0.55 lbs.
Case Qty.	40 pcs.



### INSTALLATION

- Install in accordance with the National Electrical Code
- Use with 600V rated wire
- Use external ground wire
- Do not connect any lamp lead to neutral
- Mounting side of ballast package must be in complete contact with metallic fixture surface for proper thermal dissipation



### WARRANTY

AC Electronics warrants to the purchaser that each electronic ballast will be free from defects in material or workmanship for a period of 5 years from the date of manufacture when properly installed and under normal conditions of use.

3401 Avenue D, Arlington, TX 76011 • 1-800-375-6355 • [www.ace-ballast.com](http://www.ace-ballast.com)  
 Data is based upon tests performed by AC Electronics in a controlled environment and representative performance. Actual performance can vary depending on operating conditions. Specifications are subject to change without notice. All specifications are nominal unless otherwise noted.

