

EST-A39PBXS

Type: Rapid Start Electronic Ballast
Lamp Connection: Series
Lamp Types:
Three FT39W or FT36W
SLI lamps or cross reference GE,
Philips or Sylvania/OSRAM lamps

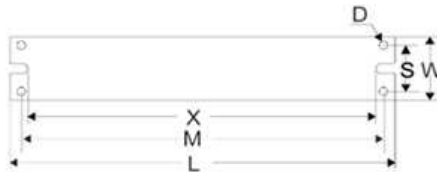
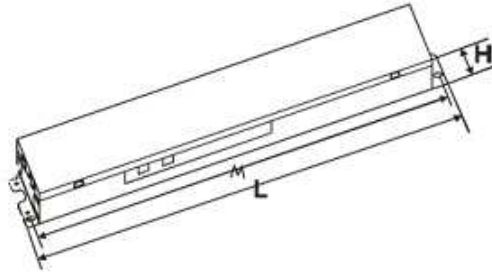


SPECIFICATIONS

Input Voltage	Number of Lamps	Lamp Type	Lamp Watts	Input Watts (typical)	Input Current (typical)	Power Factor	Max THD	Crest Factor	Ballast Factor	Bench Heat Test at 25°C Ambient
120V	3	FT39W	39W	111W	0.92A	0.99	<10%	<1.7	0.92	55°C
120V	3	FT36W	36W	104W	0.86A	0.99	<10%	<1.7	0.96	50°C
230V	3	FT39W	39W	110W	0.48A	0.98	<10%	<1.7	0.92	54°C
230V	3	FT36W	36W	102W	0.45A	0.99	<10%	<1.7	1.02	46°C
277V	3	FT39W	39W	108W	0.39A	0.98	<10%	<1.7	0.92	48°C
277V	3	FT36W	36W	103W	0.38A	0.98	<10%	<1.7	1.02	46°C

SAFETY & PERFORMANCE

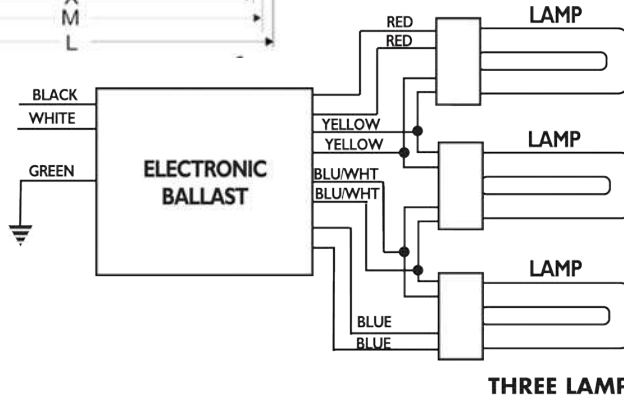
- 120-277V, 50/60Hz Input Voltage
- UL Listed
- cUL Listed
- Type HL
- High Power Factor
- EMI/RFI: Meets Fcc Part 18 Subpart C
- Class P Thermally Protected (Inherent)
- Type 1 Outdoor
- Sound Rated A
- Surge Protected
- Auto Restart
- No PCBs



Dimensions	
Length (L)	9.42"
Width (W)	2.33"
Height (H)	1.425"
Mounting (M)	8.99"
Mounting (S)	1.69"
Hole Diameter	0.20"
Weight	2.87 lbs.
Case Qty.	20 pcs.

APPLICATION

- Minimum Starting Temp -10°C
- Maximum Case Temp 90°C
- Remote Wiring Length up to 18 ft



Wiring Lengths	
Black	18.8"
White	18.8"
Red	31.0"
Blue	31.0"
Yellow	46.5"

INSTALLATION

- Install in accordance with the National Electrical Code
- Use with 600V rated wire
- Use external ground wire
- Do not connect any lamp lead to neutral
- Mounting side of ballast package must be in complete contact with metallic fixture surface for proper thermal dissipation



WARRANTY

AC Electronics warrants to the purchaser that each electronic ballast will be free from defects in material or workmanship for a period of 3 years date of manufacture when operated at a max case temp of 90°C; 5 years when operated at a max case temp of <75°C, when properly installed and under normal conditions of use.

Administration & Distribution Center: 3401 Avenue D, Arlington, TX 76011
1-800-375-6355 • www.ace-ballast.com

Data is based upon tests performed by AC Electronics in a controlled environment and representative performance. Actual performance can vary depending on operating conditions. Specifications are subject to change without notice. All specifications are nominal unless otherwise noted.

