

EPQ-A40PBXS/L

Type: Instant Start Electronic Ballast
Lamp Connection: Parallel
Lamp Types:



Three or Four 40W PL-L, FBX39, FBX36, or FTDL40/28W
SLI lamps or cross reference GE, Philips or Sylvania/OSRAM lamps

SPECIFICATIONS

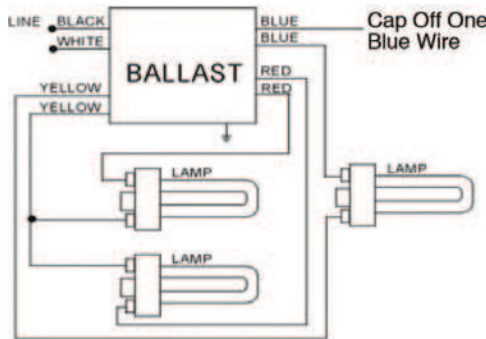
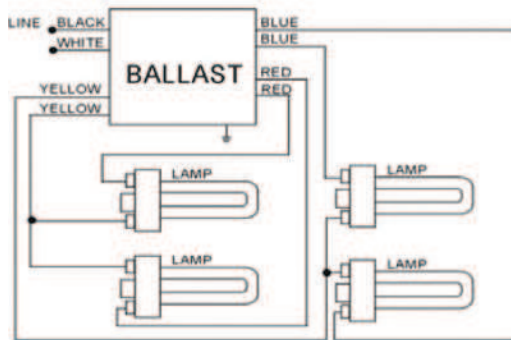
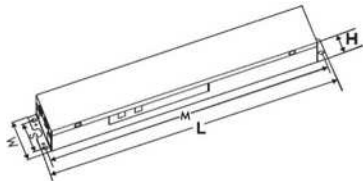
Input Voltage	Number of Lamps	Lamp Type	Lamp Watts	Input Watts (typical)	Input Current (typical)	Power Factor	Max THD	Crest Factor	Ballast Factor
120V	3	PL-L40W	40W	104W	0.87A	0.99	<10%	<1.7	0.92
120V	3	PL-L39W	39W	81W	0.68A	0.99	<10%	<1.7	0.65
120V	3	PL-L36W	36W	78W	0.65A	0.99	<10%	<1.7	0.72
120V	3	FTDL40/28W	28W	90W	0.75A	0.99	<10%	<1.7	0.92
120V	4	PL-L40W	40W	134W	1.12A	0.99	<10%	<1.7	0.90
120V	4	PL-L39W	39W	108W	0.89A	0.99	<10%	<1.7	0.60
120V	4	PL-L36W	36W	103W	0.85A	0.99	<10%	<1.7	0.70
120V	4	FTDL40/28W	28W	122W	1.02A	0.99	<10%	<1.7	0.90
230V	3	PL-L40W	40W	104W	0.46A	0.99	<10%	<1.7	0.92
230V	3	PL-L39W	39W	81W	0.35A	0.99	<15%	<1.7	0.65
230V	3	PL-L36W	36W	79W	0.34A	0.99	<15%	<1.7	0.72
230V	3	FTDL40/28W	28W	90W	0.39A	0.99	<10%	<1.7	0.92
230V	4	PL-L40W	40W	134W	0.59A	0.99	<10%	<1.7	0.90
230V	4	PL-L39W	39W	108W	0.47A	0.99	<10%	<1.7	0.60
230V	4	PL-L36W	36W	103W	0.45A	0.99	<10%	<1.7	0.70
230V	4	FTDL40/28W	28W	122W	0.53A	0.99	<10%	<1.7	0.90
277V	3	PL-L40W	40W	104W	0.38A	0.99	<10%	<1.7	0.92
277V	3	PL-L39W	39W	81W	0.30A	0.99	<15%	<1.7	0.65
277V	3	PL-L36W	36W	78W	0.28A	0.99	<15%	<1.7	0.72
277V	3	FTDL40/28W	28W	90W	0.32A	0.99	<10%	<1.7	0.92
277V	4	PL-L40W	40W	134W	0.49A	0.99	<10%	<1.7	0.90
277V	4	PL-L39W	39W	108W	0.40A	0.99	<10%	<1.7	0.60
277V	4	PL-L36W	36W	103W	0.38A	0.99	<10%	<1.7	0.70
277V	4	FTDL40/28W	28W	122W	0.44A	0.99	<10%	<1.7	0.90

SAFETY & PERFORMANCE

- 120-277V, 50-60Hz Input Voltage
- UL Listed
- cUL Listed
- Type HL
- Type 1 Outdoor
- Surge Protection
- Overcurrent Protection
- Sound Rated A
- Class P Thermally Protected (Inherent)
- Auto Restart
- No PCBs

APPLICATION

- Minimum Starting Temp -10°C
- Maximum Case Temp 90°C
- Remote Wiring Length up to 18 ft



Dimensions	
Length (L)	9.42"
Width (W)	2.33"
Height (H)	1.425"
Mounting (M)	8.99"
Mounting (S)	1.69"
Hole Diameter	0.209
Weight	2.31 lbs.
Case Qty.	20 pcs.

Wiring Lengths	
Black	36"
White	36"
Blue	31"
Red	31"
Yellow	46.5"

INSTALLATION

- Install in accordance with the National Electrical Code
- Use with 600V rated wire
- Use external ground wire
- Do not connect any lamp lead to neutral
- Mounting side of ballast package must be in complete contact with metallic fixture surface for proper thermal dissipation

WARRANTY

AC Electronics warrants to the purchaser that each electronic ballast will be free from defects in material or workmanship for a period of 3 years from the date of manufacture when operated at max case temp up to 90°C; 5 years when operated at max case temp up to <75°C, when properly installed and under normal conditions of use.



Administration & Distribution Center: 3401 Avenue D, Arlington, TX 76011 • 1-800-375-6355 • www.ace-ballast.com

Data is based upon tests performed by AC Electronics in a controlled environment and representative performance. Actual performance can vary depending on operating conditions. Specifications are subject to change without notice. All specifications are nominal unless otherwise noted.

