

# EPQ-A40PBXHS

Type: Instant Start Electronic Ballast

Lamp Connection: Parallel

Lamp Types:

Three or Four PL-L40W, F39BX/F36BX or FT40DL/28W SLI lamps or cross reference GE, Philips or Sylvania/OSRAM lamps

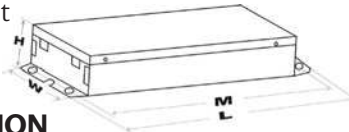


## SPECIFICATIONS

Input Voltage	Number of Lamps	Lamp Type	Lamp Watts	Input Watts (typical)	Input Current (typical)	Power Factor	Max THD	Crest Factor	Ballast Factor
120V	3	F36BX	36W	88W	0.73A	0.99	<10%	<1.7	0.80
277V	3	F36BX	36W	89W	0.33A	0.98	<15%	<1.7	0.80
120V	4	F36BX	36W	105W	0.88A	0.99	<10%	<1.7	0.75
277V	4	F36BX	36W	106W	0.39A	0.98	<10%	<1.7	0.76
120V	3	F39BX	39W	93W	0.77A	0.99	<10%	<1.7	0.70
277V	3	F39BX	39W	94W	0.35A	0.98	<15%	<1.7	0.78
120V	4	F39BX	39W	113W	0.94A	0.99	<10%	<1.7	0.65
277V	4	F39BX	39W	112W	0.41A	0.98	<10%	<1.7	0.65
120V	3	PL-L40	40W	112W	0.93A	0.99	<10%	<1.7	0.97
277V	3	PL-L40	40W	114W	0.42A	0.98	<15%	<1.7	1.11
120V	4	PL-L40	40W	142W	1.17A	0.99	<10%	<1.7	1.10
277V	4	PL-L40	40W	136W	0.49A	0.97	<10%	<1.7	1.10
120V	3	FT40DL/28W	28W	105W	0.88A	0.99	<10%	<1.7	0.97
277V	3	FT40DL/28W	28W	105W	0.38A	0.96	<15%	<1.7	1.11
120V	4	FT40DL/28W	28W	136W	1.13A	0.99	<10%	<1.7	1.10
277V	4	FT40DL/28W	28W	127W	0.46A	0.97	<10%	<1.7	1.10

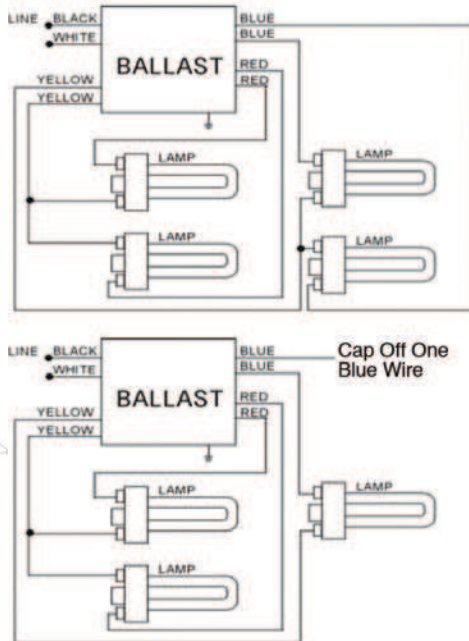
## SAFETY & PERFORMANCE

- 120-277V, 50/60Hz Input Voltage
- UL Listed
- cUL Listed
- Type HL
- High Power Factor
- Class P Thermally Protected (Inherent)
- Type 1 Outdoor
- Sound Rated A
- Surge Protected
- Auto Restart
- No PCBs



## APPLICATION

- Minimum Starting Temp -10°C
- Maximum Case Temp 90°C
- Remote Wiring Length up to 25 ft



## Dimensions

Length (L)	9.5"
Width (W)	2.4"
Height (H)	1.46"
Mounting (M)	8.9"
Mounting (S)	1.8"
Hole Diameter	0.21"
Weight	2.32 lbs.
Case Qty.	20 pcs.

## Wiring Lengths

Black	18.8"
White	18.8"
Red	30.9"
Blue	30.9"
Yellow	46.4"

## INSTALLATION

- Install in accordance with the National Electrical Code
- Use with 600V rated wire
- Use external ground wire
- Do not connect any lamp lead to neutral
- Mounting side of ballast package must be in complete contact with metallic fixture surface for proper thermal dissipation



## WARRANTY

AC Electronics warrants to the purchaser that each electronic ballast will be free from defects in material or workmanship for a period of 3 years from the date of manufacture when properly installed and under normal conditions of use.

Administration & Distribution Center: 3401 Avenue D, Arlington, TX 76011

1-800-375-6355 • www.ace-ballast.com

Data is based upon tests performed by AC Electronics in a controlled environment and representative performance. Actual performance can vary depending on operating conditions. Specifications are subject to change without notice. All specifications are nominal unless otherwise noted.

